

Isolation Link Installation Instructions

DANGER & IMPORTANT:

1. All apparatus must be installed and operated in accordance with individual user, local and national work rules. These instructions do not attempt to provide for every possible contingency.
2. Read entire installation instructions before starting. Have all required tools at hand and maintain cleanliness throughout the procedure.

Step 1 Remove two nuts from one side of the Isolation Link (Figure 1).

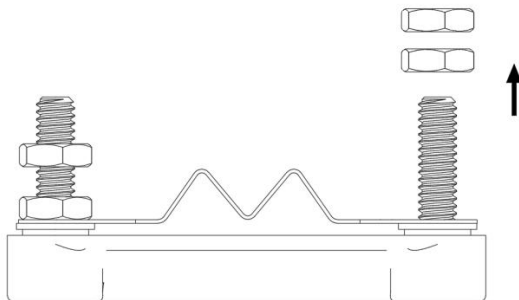


Figure 1

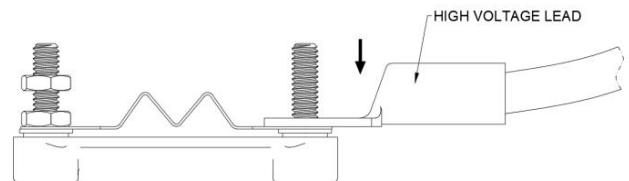


Figure 2

Step 2 Mount the lug of high voltage lead onto the stud of the Isolation Link (Figure 2).

Step 3 Fit nuts onto the studs with a torque wrench and tighten each nut to a torque of 6~8N.m for the first nut (Figure 3), then apply the same 6~8N.m torque to fasten the second nut (Figure 4).

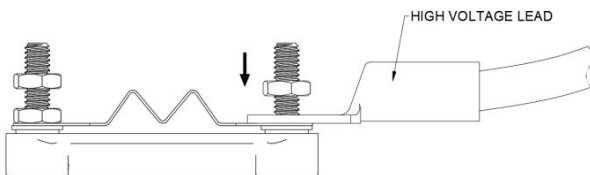


Figure 3

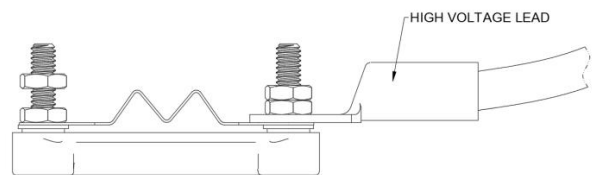


Figure 4

Step 4 Complete installation of high voltage lead lug on the opposite side by Step 1 to Step 3 (Figure 5).

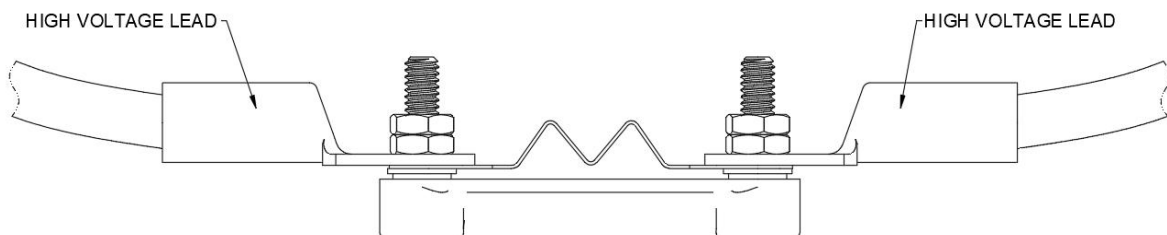


Figure 5

Notes:

- 1、Reference drawing for Isolation Link mounted on Bayonet Fuse Holder (Figure 6).

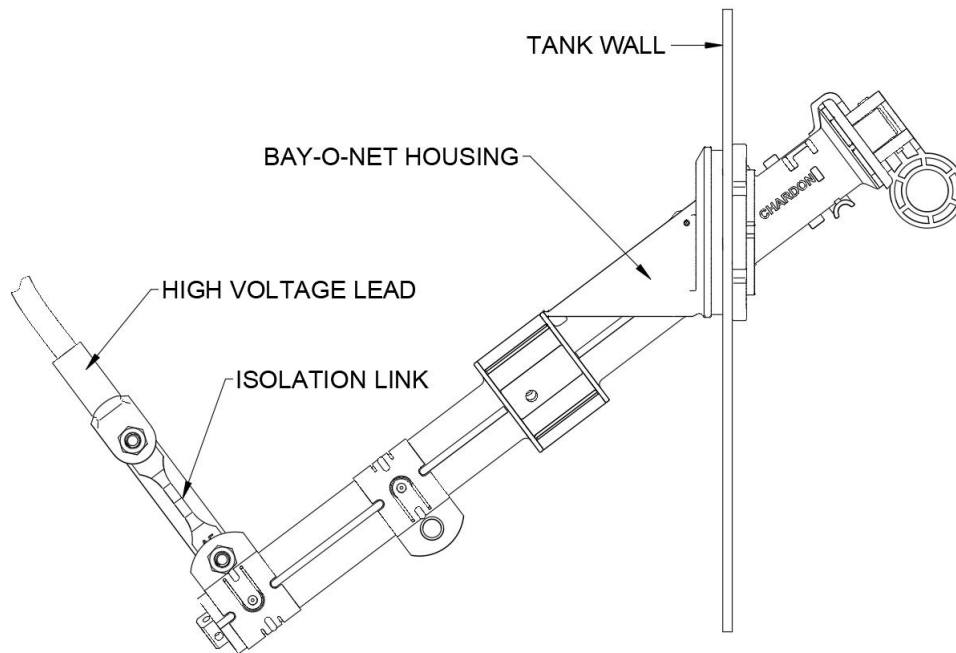


Figure 6

- 2、Reference drawing for Type B Isolation Link assembled on Fuse Holder (Figure 7).

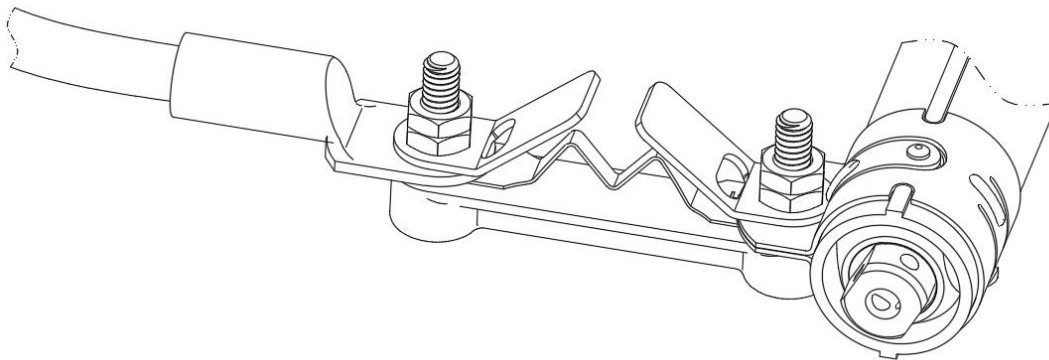


Figure 7

Because these instructions do not attempt to provide for every possible contingency, contact us immediately if you have any problems or questions during install connector.

CHARDON GROUP

No. 808, TaiJi Road, EDZ Guangde City,
Anhui Province, CHINA

Tel: +86-0563-2216688 Fax: +86-0563-2251805

Mail: info@chardongroup.com <https://www.chardongroup.com/>

