

# **IEC Separable Connectors** **36 kV, 630A**

**Front T-Body / Coupling (Rear) T-Body Connector**



## APPLICATION

Chardon Front T-Body / Coupling (Rear) T-Body Connectors are fully screened and fully submersible when mated with proper bushings or plugs. The products are used to terminate polymeric cable to dead front apparatus such as transformers, switchgear, and other equipment. They can be used for 36kV applications.

The Chardon T-body Connectors are suitable for indoor or outdoor applications, and are able to be used for all polymeric cable types (XLPE, ETP, etc.) with copper or aluminum conductors. The design is especially suited for the harsh off-shore or wind farm environment, where long runs and large cable sizes are needed.

## KEY FEATURES

- / Provides a fully shielded and submersible connection when mated with the proper bushing or plug.
- / Type "C" 630A Interface in accordance with EN 50181-2010.
- / Mounting can be vertical, horizontal, or any angle in between.
- / No minimum phase clearance requirements.
- / 100% electrical tested at factory.

## PRODUCT RATINGS

Rated Voltage Class (Ur)	36 kV
AC 5 Minute Withstand	81 kV
DC 15 Minute Voltage Withstand	72 kV
Partial Discharge	30 kV < 3pC
BIL and Full Wave Crest (Impulse)	170 kV
Thermal Short Circuit (Conductor, 2 sec.)	23 kA
Dynamic Short Circuit	82 kA
Continuous Current	630 A

## PRODUCTION TESTS

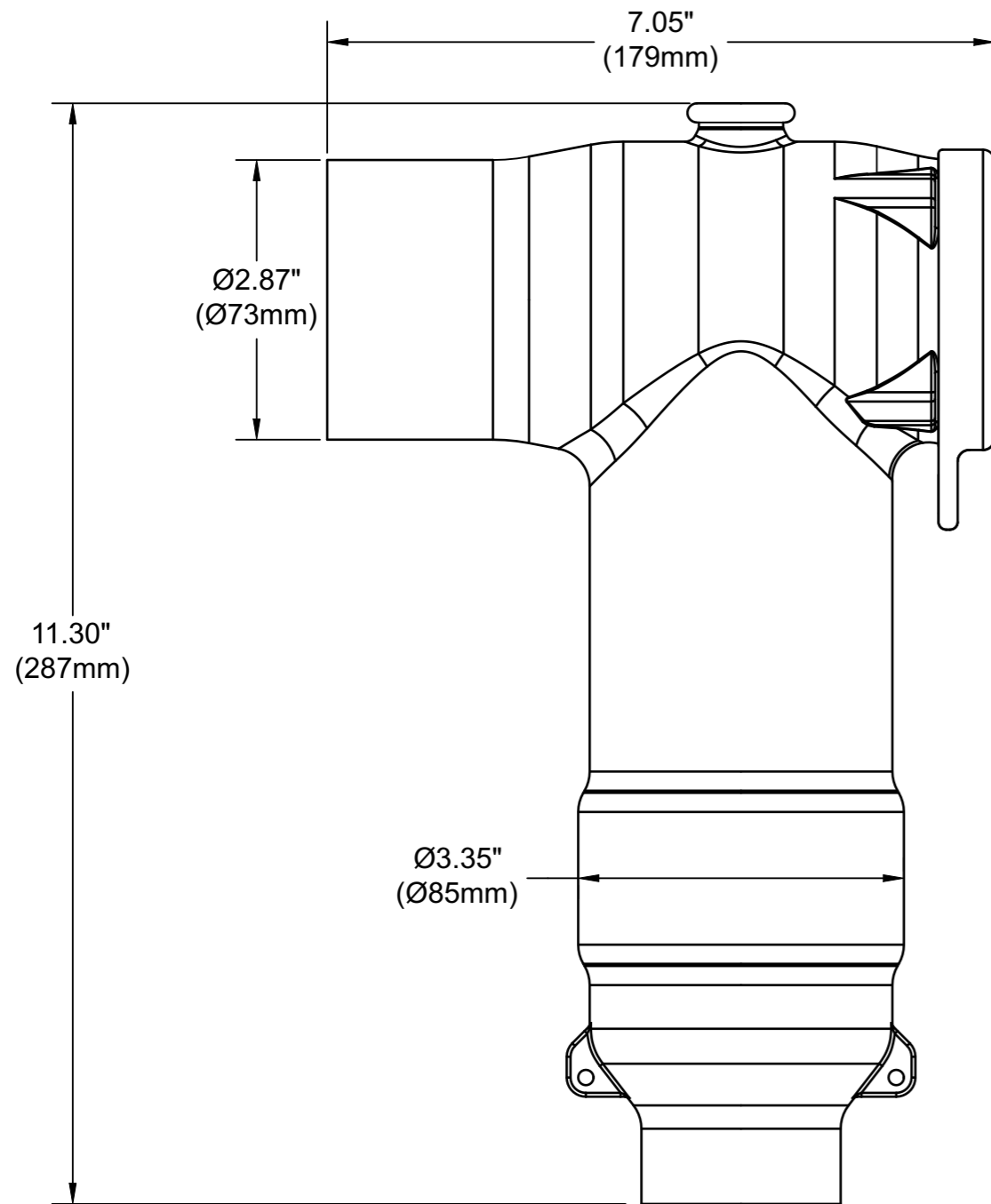
Tests conducted in accordance with IEC 60502-4.

- / Partial Discharge – 30 kV ≤ 3pC
- / AC 5 Minute Withstand – 81 kV

## DETAILED COMPOSITION OF THE CHARDON 36 KV FRONT T-BODY CONNECTOR



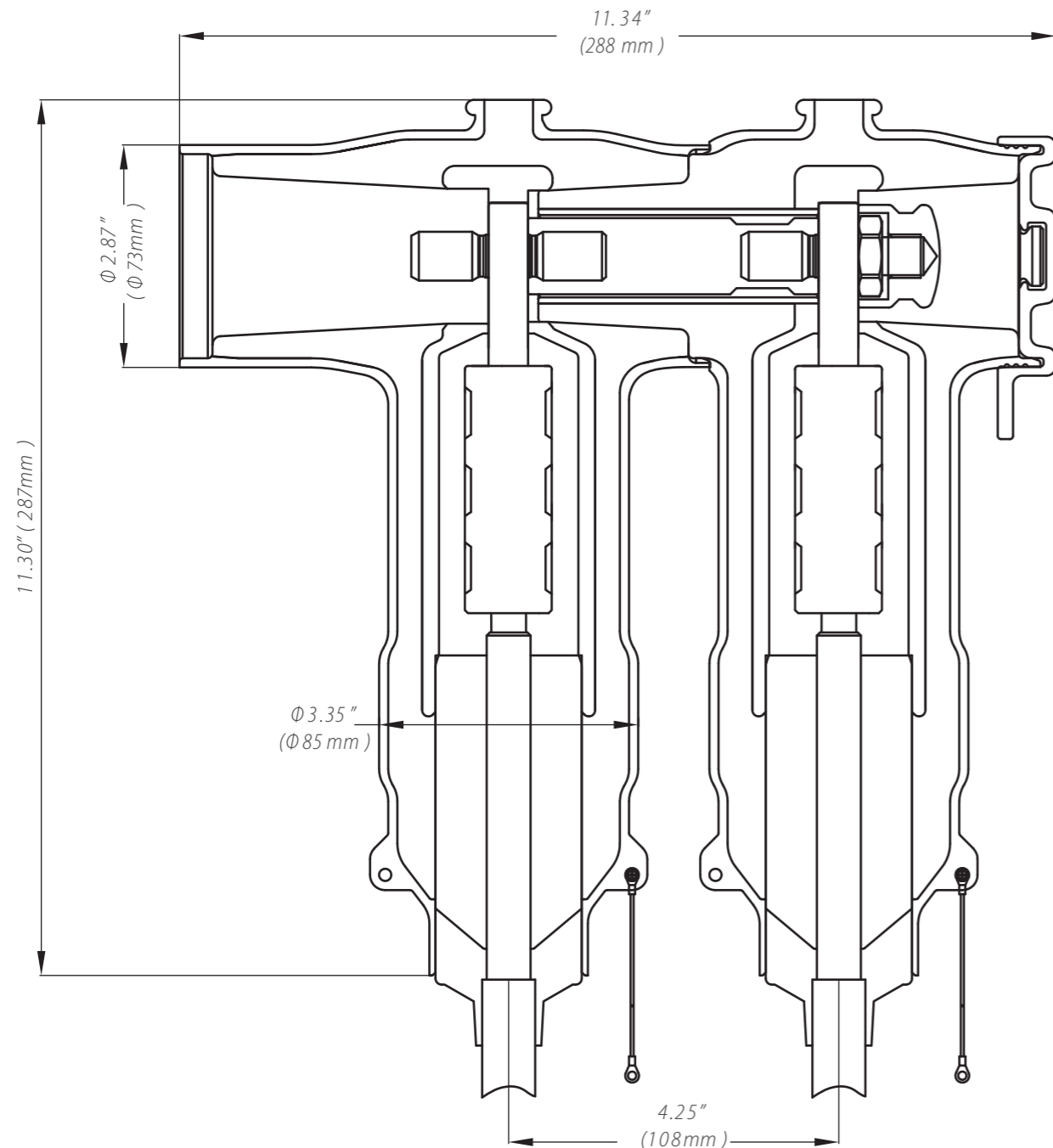
**DETAILED COMPOSITION OF THE CHARDON  
36 KV FRONT T-BODY CONNECTOR**



**DETAILED COMPOSITION OF THE CHARDON  
36 KV COUPLING (REAR) T-BODY CONNECTOR**



**DETAILED COMPOSITION OF THE CHARDON  
36 KV COUPLING (REAR) T-BODY CONNECTOR**



**ORDERING INFORMATION**

36-	---	630-	-	---	-
	<b>STEP1</b>		<b>STEP2</b>	<b>STEP3</b>	<b>STEP4</b>

**STEP1** ---

**Selection of Front / Rear T-body**

Code	
FDT	Front T-body
RDT	Coupling (Rear) T-body

**STEP2** -

**Selection of Cable Insulation Dimension**

Range Code	mm (inch)
LA	15.5 - 19.0 (0.610 - 0.748)
LB	18.0 - 21.0 (0.709 - 0.827)
LC	20.0 - 23.0 (0.787 - 0.905)
LD	22.0 - 25.0 (0.866 - 0.984)
LE	24.0 - 27.0 (0.945 - 1.063)
LF	26.0 - 29.0 (1.024 - 1.142)
LG	28.0 - 32.0 (1.102 - 1.260)
LH	31.0 - 34.0 (1.220 - 1.339)
LI	33.0 - 37.0 (1.299 - 1.457)
LJ	36.0 - 39.0 (1.417 - 1.535)
LK	38.0 - 42.0 (1.496 - 1.654)

**STEP3** ---

**Selection of Conductor Size**

Conductor Code	Conductor Size (mm <sup>2</sup> )
25	25
35	35
50	50
70	70
95	95
120	120
150	150
185	185
240	240
300	300
400	400

**STEP4** -

**Selection of Compression Connector Material**

Code	
B	Bi-metal (Al & Cu)
C	Copper

**Ordering Example:**

For a CHARDON 36 kV Front T-body with cable insulation outer dimension of 33.9 mm and a conductor size of 185 mm<sup>2</sup> with copper compression connector, the part number would be as follows.

36-	FDT	630	LH	185	C
-----	-----	-----	----	-----	---

If a shear bolt connector is selected in this kit, the part number would be 36-FDT630LH-SBC-B-150-240/2.

36-	FDT	630	LH	SBC-B-150-240/2-AL
-----	-----	-----	----	--------------------

**Chardon Shear Bolt Connector**

Example:  
ForaShear Bolt Connector with a conductor Range between 20-50 mm<sup>2</sup>, the part number would be : SBC-B-25-50/1.

CATALOG NO.	Conductor Range(mm <sup>2</sup> )
SBC-B-25-50/1-AL	25-50
SBC-B-70-120/2-AL	70-120
SBC-B-150-240/2-AL	150-240
SBC-B-120-300/2-AL	120-300
SBC-B-300-400/3-AL	300-400





### **ANHUI CHARDON ELECTRIC LTD.**

No.808 Taiji Road Economic Develop Zone of Guangde County  
Anhui China  
Tel: 0563-2216688  
Fax: 0563-2251806

### **CHARDON TAIWAN CORPORATION**

No.37 Min-Chie Road, Tung Lo Industrial Park, Miao Li, Taiwan 366  
Tel:+886-37-984385  
Fax:+886-37-984770

### **SHANGHAI CHARDON ELECTRIC LTD.**

Room 1202, office building No.399, Yun Gu Road, Jiading district,  
Shanghai, China 201801  
Tel: +86-21-39105900  
Fax: +86-21-39105916

[www.chardongroup.com](http://www.chardongroup.com)·[info@chardongroup.com](mailto:info@chardongroup.com)