

CHARDON 600A 35kV Insulated Protective Cap



APPLICATION

The Chardon 600 Amp 35 kV Insulated Cap meets all the requirements of IEEE standard 386-2009. It provides insulated, fully shielded submersible protection for 35 kV class deadbreak interfaces and is fully interchangeable with competitor's products that also meet IEEE standard 386.

The Chardon Insulated Cap design incorporates peroxide cured, EPDM insulation rubber, and a semi-conducting insert and outer shield. The outer conductive shield maintains ground potential on the cap's surface when a grounding wire is connected to a common ground.

PRODUCTION TESTS

Tests conducted in accordance with IEEE/ANSI Standard 386.

- / AC 60 Hz 1 Minute Withstand – 70 kV
- / Partial Discharge – $26 \text{ kV} \leq 5\text{pC}$

Tests conducted in accordance with Chardon manufacturing process requirements:

- / Physical Inspection
- / Periodic Dissection
- / Periodic X-ray Analysis

VOLTAGE RATINGS

| | |
|-----------------------------|---------------------------------|
| Voltage Class | 35 kV |
| Max. Rating Phase to Ground | 21.1 kV |
| AC 60Hz 1 Minute Withstand | 70 kV |
| DC 15 Minute Withstand | 103 kV |
| BIL and Full Wave Crest | 200 kV |
| Partial Discharge | $26 \text{ kV} \leq 5\text{pC}$ |

DETAILED COMPOSITION OF THE CHARDON 35KV INSULATED CAP

/ SEMICONDUCTING SHIELD

Precision molded peroxide cured semiconducting shield provides ground shield continuity and meets the requirements of IEEE Standard 592.

/ PULLING EYE

Stainless steel pulling eye for hotstick operations.

/ DRAIN WIRE TAB

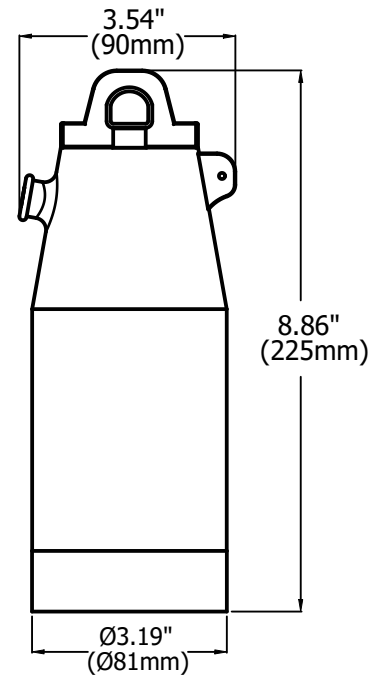
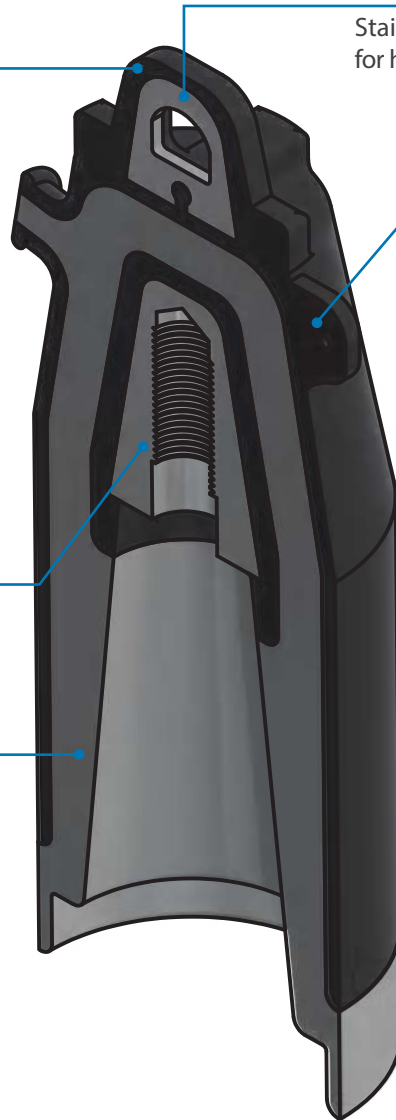
Drain wire tab provides a convenient point to connect drain wire to ensure grounding of the connector shield. A drain wire is included with the product.

/ THREADED ALUMINUM INSERT 5/8"-11 UNC 2A

Allows cap to be installed on bushing with a standard 600 A stud.

/ INSULATION LAYER

High quality peroxide cured EPDM insulation is mixed and formulated in-house for complete control of rubber characteristics.



ORDERING INFORMATION

Each kit includes the following:

- / Insulated Cap
- / Silicone Lubricant
- / Installation Instruction Sheet
- / Optional aluminum stud for 35-DIC600-SRV only

| | |
|----------------------------------|---------------|
| Standard Cap without stud | 35-DIC600 |
| Standard Cap with removable stud | 35-DIC600-SRV |



ANHUI CHARDON ELECTRIC LTD.

No.808 Taiji Road Economic Develop Zone of Guangde
County Anhui China

Tel: 0563-2216688

Fax: 0563-2251806

CHARDON TAIWAN CORPORATION

No.37 Min-Chie Road, Tung Lo Industrial Park, Miao Li,
Taiwan 366

Tel: +886-37-984385

Fax: +886-37-984770

SHANGHAI CHARDON ELECTRIC LTD.

Room 1202, office building No.399, Yun Gu Road ,
Jiading district, Shanghai, China 201801

Tel: +86-21-39105900

Fax: +86-21-391059166

www.chardongroup.com-info@chardongroup.com