

# Chardon Shear Bolt Connector



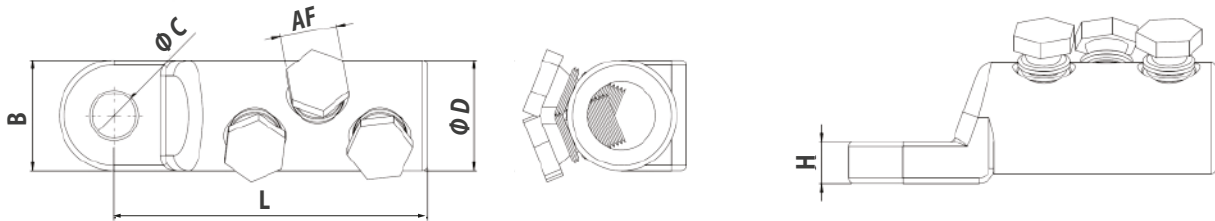
## APPLICATION

Chardon Shear Bolt Connectors are designed for use in low and medium voltage connection. The tool required is a standard ratchet wrench with a hexagonal socket; no crimping tool is needed in field operation.

The connector is manufactured from high conductivity aluminum for heavy duty utility

application. The cable entry opening is chamfered inside to provide easy insertion of cable. The shear bolts in the connector ensures the correct torque and optimal contact force and ensure a reliable current path.

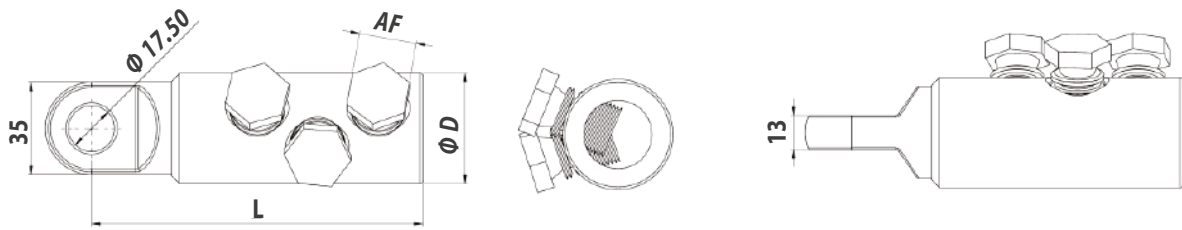
## ORDERING INFORMATION



### DIMENSION INFORMATION OF "SBC-A SERIES"

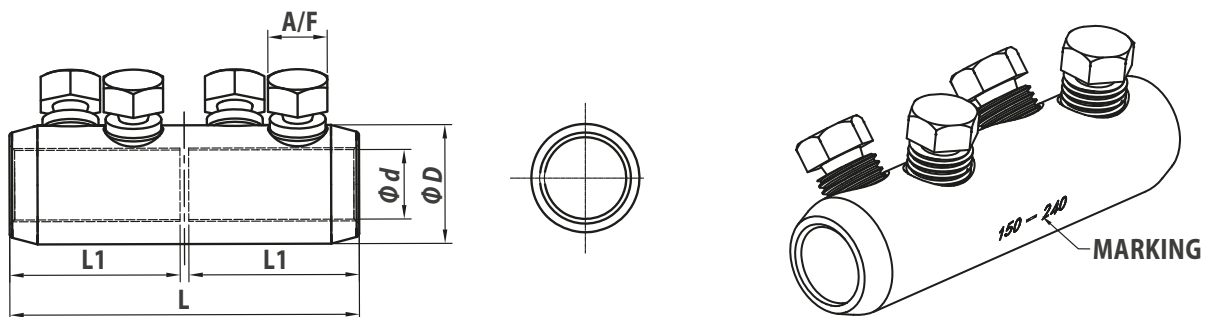
CATALOG No.	Conductor Range (mm <sup>2</sup> )	Dimensions (mm)					AF Head Size	Bolt Quantity
		φD	L	B	H	φC		
SBC-A-25-50-12/1	25 - 50	24	64.5	24	9	13	13	1
SBC-A-25-50-16/1						17		
SBC-A-70-95-12/1	70 - 95	24	64.5	24	9	13	13	1
SBC-A-70-95-16/1						17		
SBC-A-95-150-12/2	95 - 150	28	85.0	28	10	13	17	2
SBC-A-95-150-16/2						17		
SBC-A-150-240-12/2	150 - 240	33	97.5	33	13	13	19	2
SBC-A-150-240-16/2						17		
SBC-A-240-300-12/2	240 - 300	38	116.5	38	14	13	22	2
SBC-A-240-300-16/2						17		
SBC-A-300-400-12/3	300 - 400	42	120	42	16	13	22	3
SBC-A-300-400-16/3						17		

## ORDERING INFORMATION



### DIMENSION INFORMATION OF "SBC-B SERIES"

CATALOG No.	Conductor Range (mm <sup>2</sup> )	Dimensions (mm)		AF Head Size	Bolt Quantity
		φD	L		
SBC-B-25-50/1	25 - 50	24	71	13	1
SBC-B-70-95/1	70 - 95	24	71	13	1
SBC-B-70-120/2	70 - 120	33	103	19	2
SBC-B-150-240/2	150 - 240	33	103	19	2
SBC-B-300-400/3	300 - 400	42	126	22	3
SBC-B-500/3	500	48	142	24	3
SBC-B-500-630/3	500 - 630	52	142	24	3



### DIMENSION INFORMATION OF "SBSC"

CATALOG No.	Conductor Range (mm <sup>2</sup> )	Dimensions (mm)				AF Head Size	Bolt Quantity
		L	L1	D	d		
SBSC-25-50/2/C	25 - 50	70	33.5	24	9	13	2
SBSC-70-95/2/C	70 - 95	70	33.5	24	13.3	13	2
SBSC-95-150/4/C	95 - 120	106	51.5	28	16	17	4
SBSC-150-240/4/C	150 - 240	125	61	33	20	19	4
SBSC-240-300/4/C	240 - 300	140	68	38	24	22	4
SBSC-300-400/6/C	300 - 400	170	83	42	26	22	6
SBSC-500-630/6/C	500 - 630	200	97	52	33	24	6



**CHARDON TAIWAN CORPORATION**

No.37 Min-Chie Road, Tung Lo  
Industrial Park, Miao Li, Taiwan 366

Tel : +886-37-984385

Fax : +886-37-984770

[www.chardongroup.com](http://www.chardongroup.com) • [info@chardongroup.com](mailto:info@chardongroup.com)