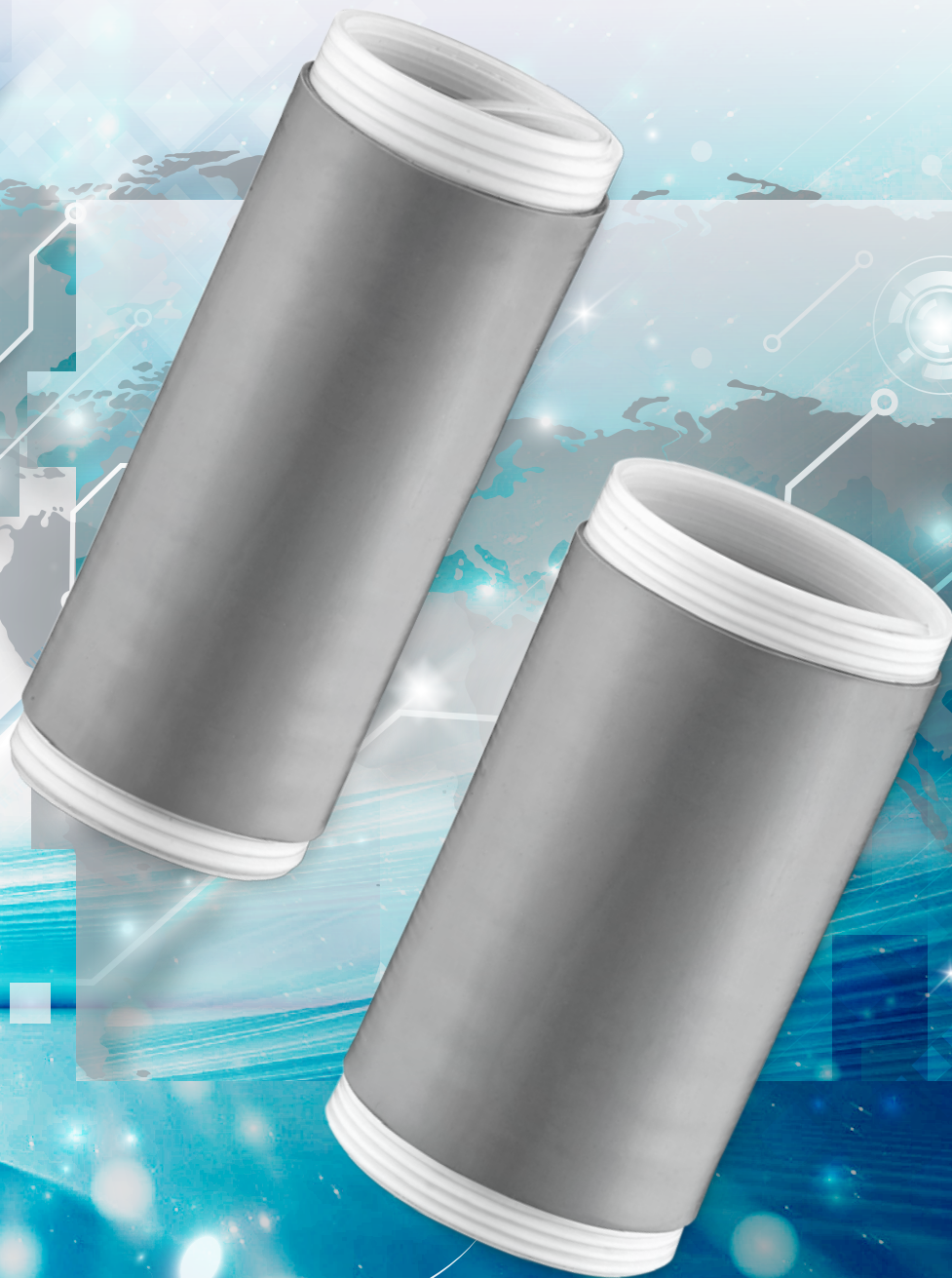


Cold Shrinkable Jacket Seal



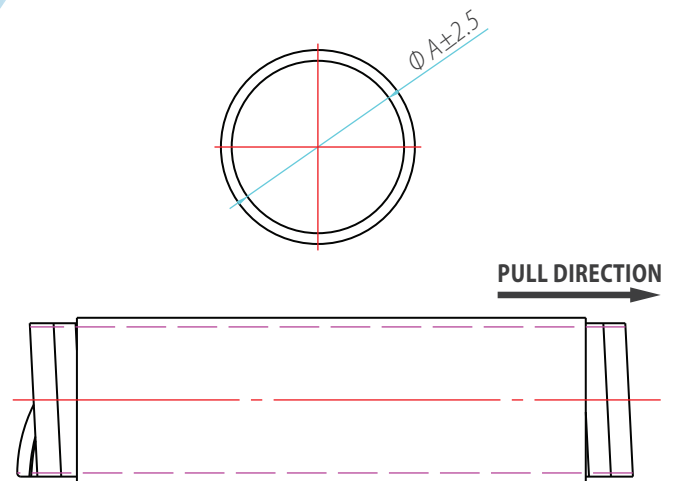
APPLICATION

Chardon Cold Shrinkable Jacket Seals are designed to seal the end of XLP, EPR or similar solid dielectric insulated power cables. The Cold Shrinkable Jacket Seal can be used when installing elbows or other cable accessories. The product is submersible and UV resistant.

The spiral tube design allows the users to remove the inner tube easily during installation. The rubber tube provides sealing and protection on jacketed concentric neural cable. No additional tools are required for installation.

DIMENSIONAL INFORMATION

Jacket Kit	ØA	Cable O.D. Range (mm)
CJS-B	58	18.0 - 38.1
CJS-C	82	37.0 - 62.0
CJS-D	100	60.0 - 81.3



ORDERING INFORMATION

Kit Components:

- / Cold Shrinkable Jacket Tube
- / Mastic Tape & PVC Tape
- / Instruction Sheet
- / Copper Rod and Crimp Connector (For CJS-B-DW, CJS-C-DW and CJS-D-DW)

Part Description	Standard Jacket Seal Kit	Jacket Seal for Drain Wire Shielded Cable
Cold Shrinkable Jacket Seal-Size B	CJS-B	CJS-B-DW
Cold Shrinkable Jacket Seal-Size C	CJS-C	CJS-C-DW
Cold Shrinkable Jacket Seal-Size D	CJS-D	CJS-D-DW

• Revision date: 05.22.2024



CHARDON TAIWAN CORPORATION

No.37 Min-Chie Road, Tung Lo
Industrial Park, Miao Li, Taiwan 366

Tel : +886-37-984385

Fax : +886-37-984770

www.chardongroup.com • info@chardongroup.com