

Chardon IEC 24kV 630A Insulated Protective Cap



APPLICATION

The Chardon 24kV 630A Insulated Protective Cap can be used for temporary or permanent applications and provides a submersible, fully shielded insulated cap for energized bushings.

When installed on a IEC bushing interface or junctions, it is properly grounded using the

attached drain wire, and providing physically seal and electrically insulate bushing interfaces.

The Chardon insulated cap design incorporates peroxide cured, EPDM insulation rubber, and a semi-conducting insert and outer shield.

KEY FEATURES

- Provides a fully shielded and submersible connection when mated with the proper bushings.
- EN-50181 Type "C" 630A interface.
- Mounting can be vertical, horizontal, or any angle in between.
- No minimum phase clearance requirements.
- 100% electrical tested at factory.

PRODUCTION TESTS

Tests conducted in accordance with IEC60502-4, HD629.1, GB/T12706.4.

- Minimum Corona Voltage Level – 22 kV < 3 pC
- AC 1 Minute Withstand – 60 kV
- Impulse sampling test – 125 kV

Tests conducted in accordance with Chardon manufacturing process requirements:

- Physical Inspection
- Periodic Dissection
- Periodic X-ray Analysis

VOLTAGE RATINGS

Max. Rating Phase to Ground	24 kV
AC 60Hz 1 Minute Withstand	57 kV
Minimum Corona Voltage Level	22 kV < 10 pC
BIL and Full Wave Crest	125 kV

Each kit includes the following:

- Insulated Cap
- Silicone Grease
- Installation Instruction Sheet

• Revision Date: 12.22.2023

DETAILED COMPOSITION OF THE CHARDON 24KV 630A INSULATED CAP

/ PULLING EYE

Stainless steel pulling eye for hotstick operations.

/ DRAIN WIRE TAB

Drain wire tabs provide a convenient point to connect drain wire to ensure grounding of the connector shield. A drain wire is included with the product.

/ SEMICONDUCTING SHIELD

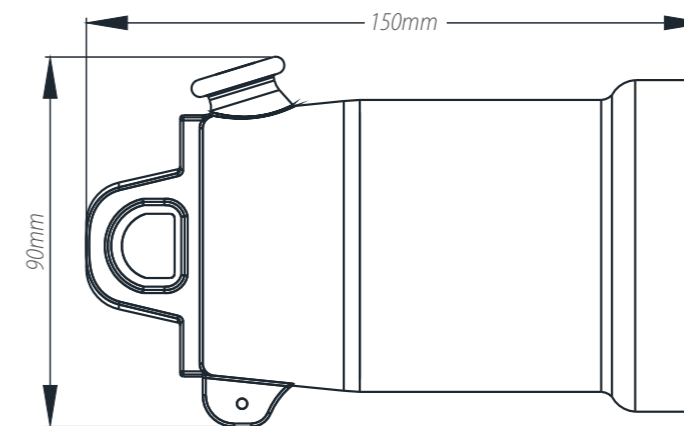
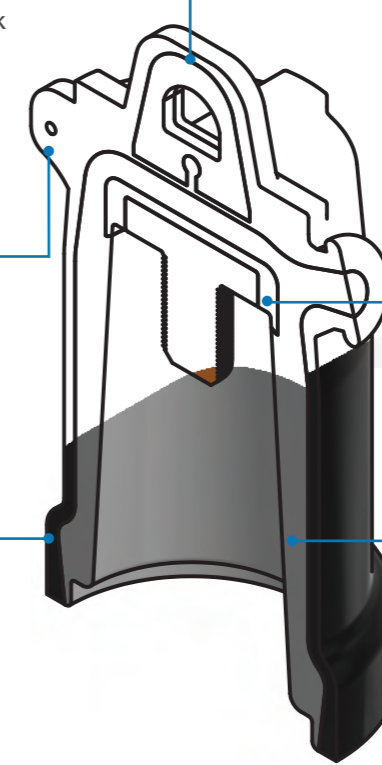
Precision molded peroxide cured semiconducting shield provides ground shield continuity.

/ SEMICONDUCTING INSERT

Precision molded peroxide cured semiconducting insert provides corona-free electrostatic shielding of the connector.

/ INSULATION LAYER

High quality peroxide cured EPDM insulation is mixed and formulated in-house for complete control of rubber characteristics.



ORDERING INFORMATION

24 kV, 630A Deadbreak Insulated Cap

24-DIC630



CHARDON TAIWAN CORPORATION

No.37 Min-Chie Road, Tung Lo
Industrial Park, Miao Li, Taiwan 366

Tel : +886-37-984385

Fax : +886-37-984770

www.chardongroup.com • info@chardongroup.com