

17.5/24kV Deadbreak 250A Straight Connector



APPLICATION

The Chardon Deadbreak Straight Connector is a fully shielded and insulated termination for connecting underground cable to transformers, switch gear and other apparatus equipped with deadbreak bushings, junctions, or other deadbreak connectors.

The Chardon Deadbreak Straight meets all the requirements of HD629.1 , EN-50180 , EN-50181 & IEC 60502, and is fully interchangeable with competitor's products

and mating products that meet EN-50180 & EN-50181.

Chardon Deadbreak Straight Connectors are molded using high quality peroxide – cured insulating and semi-conducting EPDM rubber. All insulating rubber is compounded in house, using Chardon -developed proprietary formulations. Chardon Deadbreak Straight Connector contains a copper or bi-metal conductor contact, this ensures a reliable operating connection.

PRODUCTION TESTS

Tests conducted in accordance with HD 629.1.

- / Minimum Corona Voltage Level – 22 kV < 3 pC
- / AC 1 Minute Withstand – 60 kV
- / Test Point Voltage Test

Tests conducted in accordance with Chardon manufacturing process requirements:

- / Physical Inspection
- / Periodic Dissection
- / Periodic X-ray Analysis

VOLTAGE RATINGS

Maximum Voltage Class (U_m)	24 kV
AC 5 Minute Withstand	57 kV
Minimum Corona Voltage Level	22 kV < 3pC
BIL and Full Wave Crest (Impulse)	125 kV

CURRENT RATINGS

Continuous Current	250 A
Overload Current (8 hour maximum)	300 A

DETAILED COMPOSITION OF THE CHARDON DEADBREAK STRAIGHT CONNECTOR

/ CAPACITIVE TEST POINT

Capacitive test point on molded Straight Connector with snap-on cap provides a shielded, hotstick operable means to determine circuit condition.

/ SEMICONDUCTING SHIELD

Precision molded peroxide cured semiconducting shield provides ground shield continuity and meets the requirements of IEEE Standard 592.

/ SEMICONDUCTING INSERT

Precision molded peroxide cured semiconducting insert provides corona-free electrostatic shielding of the compression connector.

/ CABLE ENTRANCE

The sized cable entrance provides an interference fit to maintain a watertight seal.

/ CONDUCTOR CONTACT

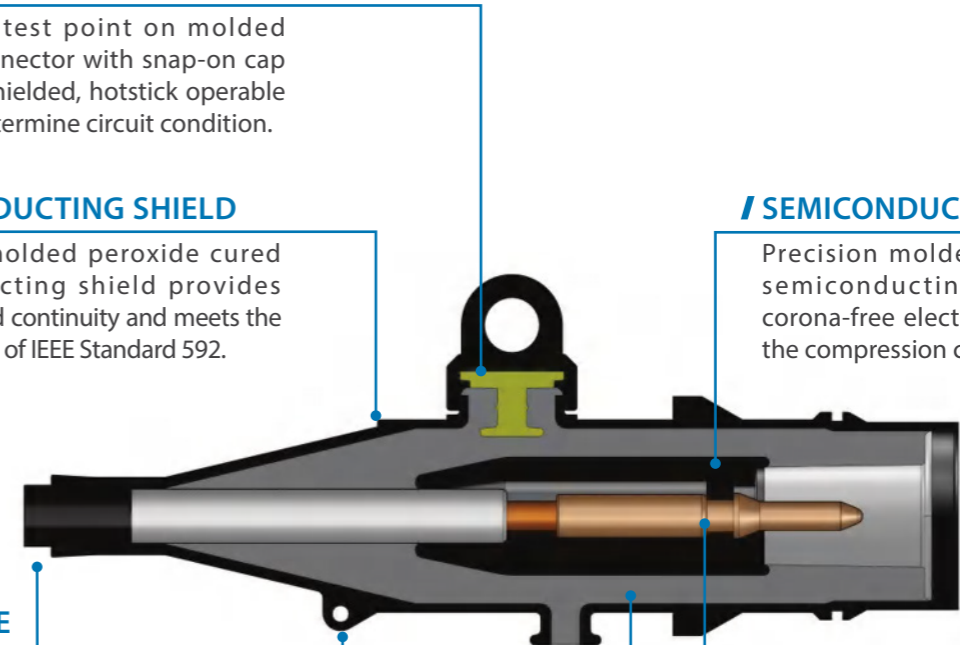
Tin plated copper connector ensures reliable electrical connection.

/ DRAIN WIRE TAB

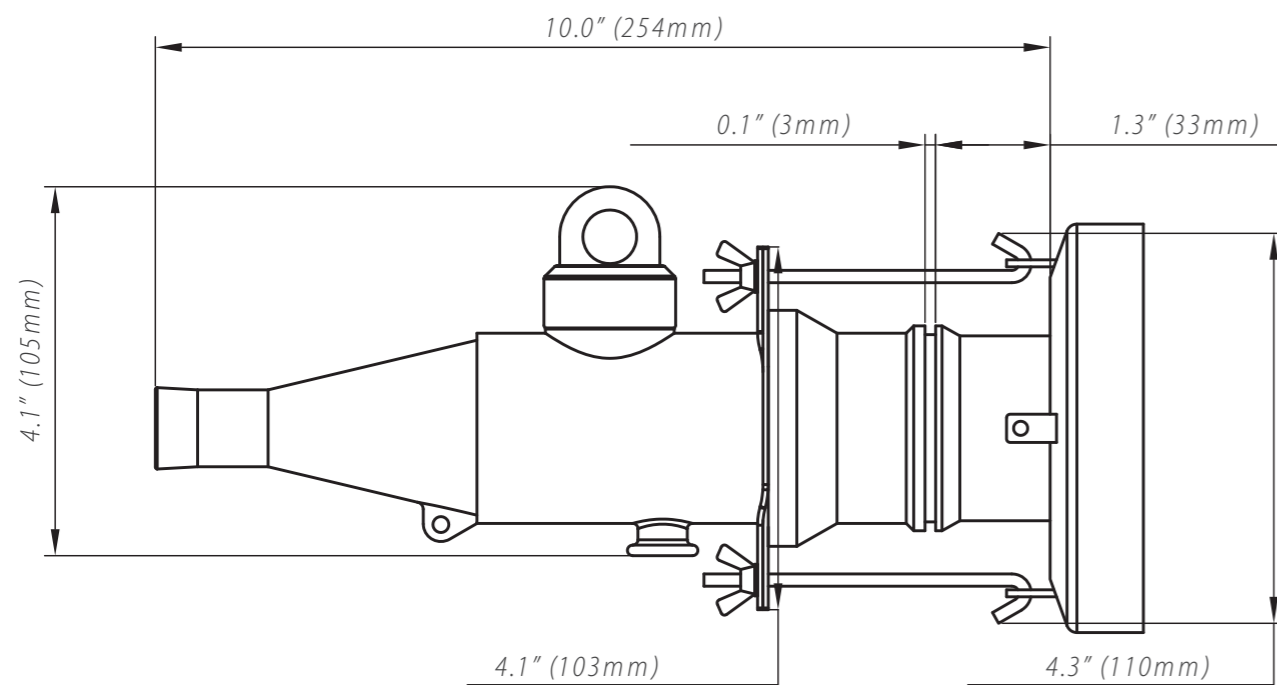
Drain wire tab provide a convenient point to connect drain wire to ensure grounding of the connector shield.

/ INSULATION LAYER

High quality peroxide cured EPDM insulation is mixed and formulated in-house for complete control of rubber characteristics.



DETAILED COMPOSITION OF THE CHARDON DEADBREAK STRAIGHT CONNECTOR



ORDERING INFORMATION

17.5/24kV Straight Connector

Each kit Contains:

- / Straight Connector body
- / Bail Assembly
- / Installation Instruction Sheet
- / Conductor Contact
- / Silicone Grease

To order a Chardon 24kV Deadbreak Straight Connector Kit, follow the steps below:

24-CL250

"W"

"X"

"Y"

"Z"

"W" = Enter **T** if want a Capacitive Test Point

"X" = Cable Range Code (See Cable Range Table)

"Y" = Conductor Code (See Conductor Table)

"Z" = Enter **C** if a plated Copper Connector is Desired

Cable Range Table (Insulation Diameter)

Cable Range Code	Inches	Millimeters
AA	0.508-0.685	12.9-17.4
A	0.642 - 0.807	16.3 - 20.5
B	0.768 - 0.945	19.5 - 24.0
C	0.906 - 1.106	23.0 - 28.1

Conductor Code Table (Compression Connectors)

CONDUCTOR CODE	Concentric or Compressed		Compact or Solid	
	AWG or kcmil	mm ²	AWG or kcmil	mm ²
03	#3	25	#2	35
04	#2	35	#1	-
05	#1	-	1/0	50
06	1/0	50	2/0	70
07	2/0	70	3/0	-
08	3/0	-	4/0	95
09	4/0	95	250	120
10	250	120	300	-

Shear Bolt Connector Selection Guide

Catalog No.	Conductor Range (mm ²)	Remarks
200SBC-25-50/1-AL	25-50	Only suitable for Cable Range Code A
200SBC-70-95/1-AL	70-95	Only suitable for Cable Range Code B and C
200SBC-25-95/1-AL	25-95	Only suitable for Cable Range Code B and C
200SBC-120/1-AL	120	Only suitable for Cable Range Code B and C

Example:

For Shear Bolt Connector with a conductor Range between 25-50 mm², the part number would be : 200SBC-25-50/1-AL



200SBC Series



CHARDON TAIWAN CORPORATION

No.37 Min-Chie Road, Tung Lo
Industrial Park, Miao Li, Taiwan 366

Tel : +886-37-984385

Fax : +886-37-984770

www.chardongroup.com • info@chardongroup.com