

630A, 36kV Class Interface C1 Equipment Bushing



APPLICATION

The Chardon 36 kV Interface C1 equipment bushing meets the full requirements of CENELEC EN 50181 and IEC 60137, provides a bolted interface made of quality epoxy. The part is

designed for use in equipment utilizing oil as insulating fluid, commonly used in transformers, switch gears and capacitors.

PRODUCTION TESTS

Tests conducted in accordance with IEC 60137

- / Minimum Corona Voltage Level - 31.2 kV
- / AC 1 Minute Withstand - 77 kV

Tests conducted in accordance with Chardon manufacturing process requirements:

- / Physical Inspection
- / Periodic Dissection
- / Periodic X-ray Analysis

VOLTAGE RATINGS

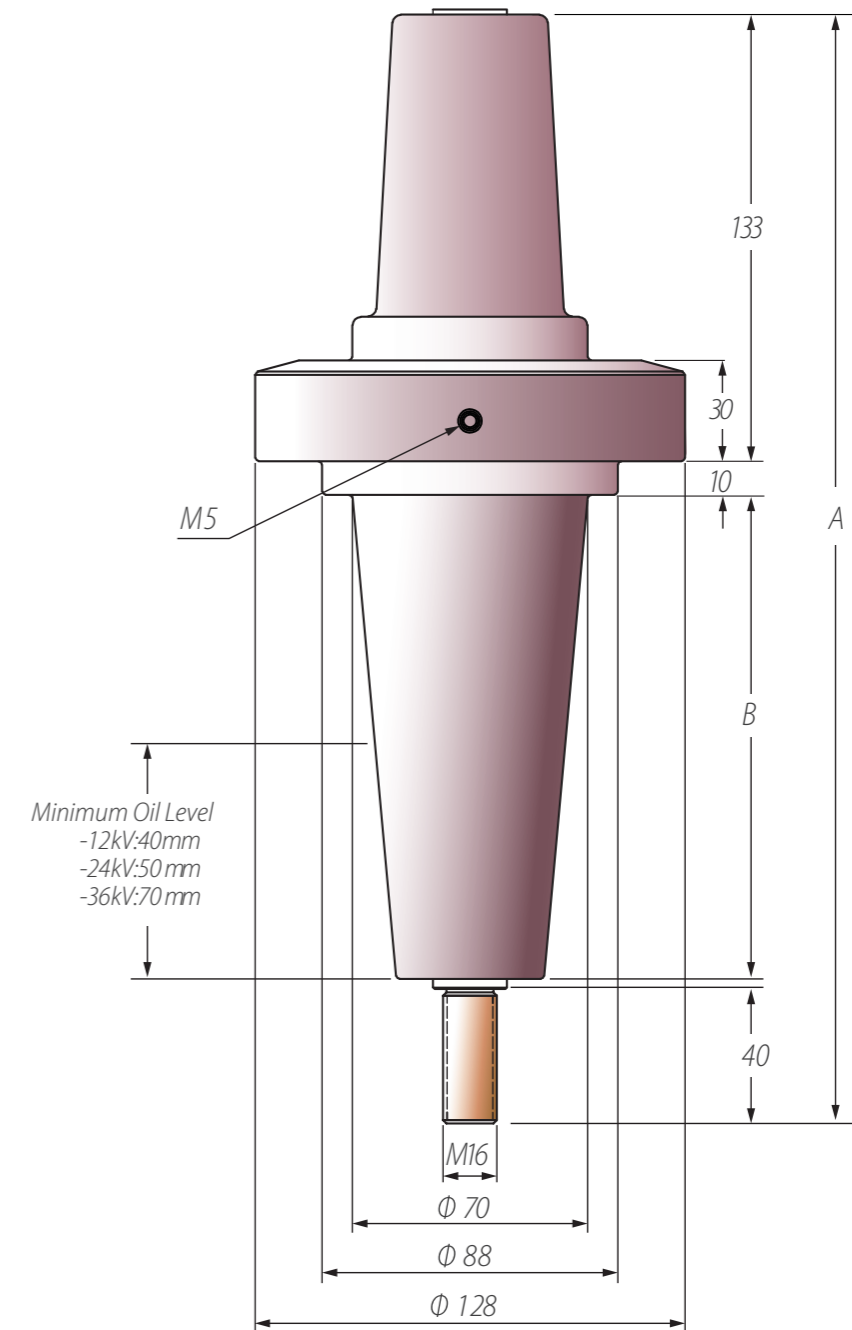
Voltage Class (U_m)	36 kV
AC 1 Minute Withstand	77 kV
BIL and Full Wave Crest	170 kV
Minimum Corona Voltage Level	31.2 kV < 10 pC

CURRENT RATINGS

Continuous Current	630 A
--------------------	-------

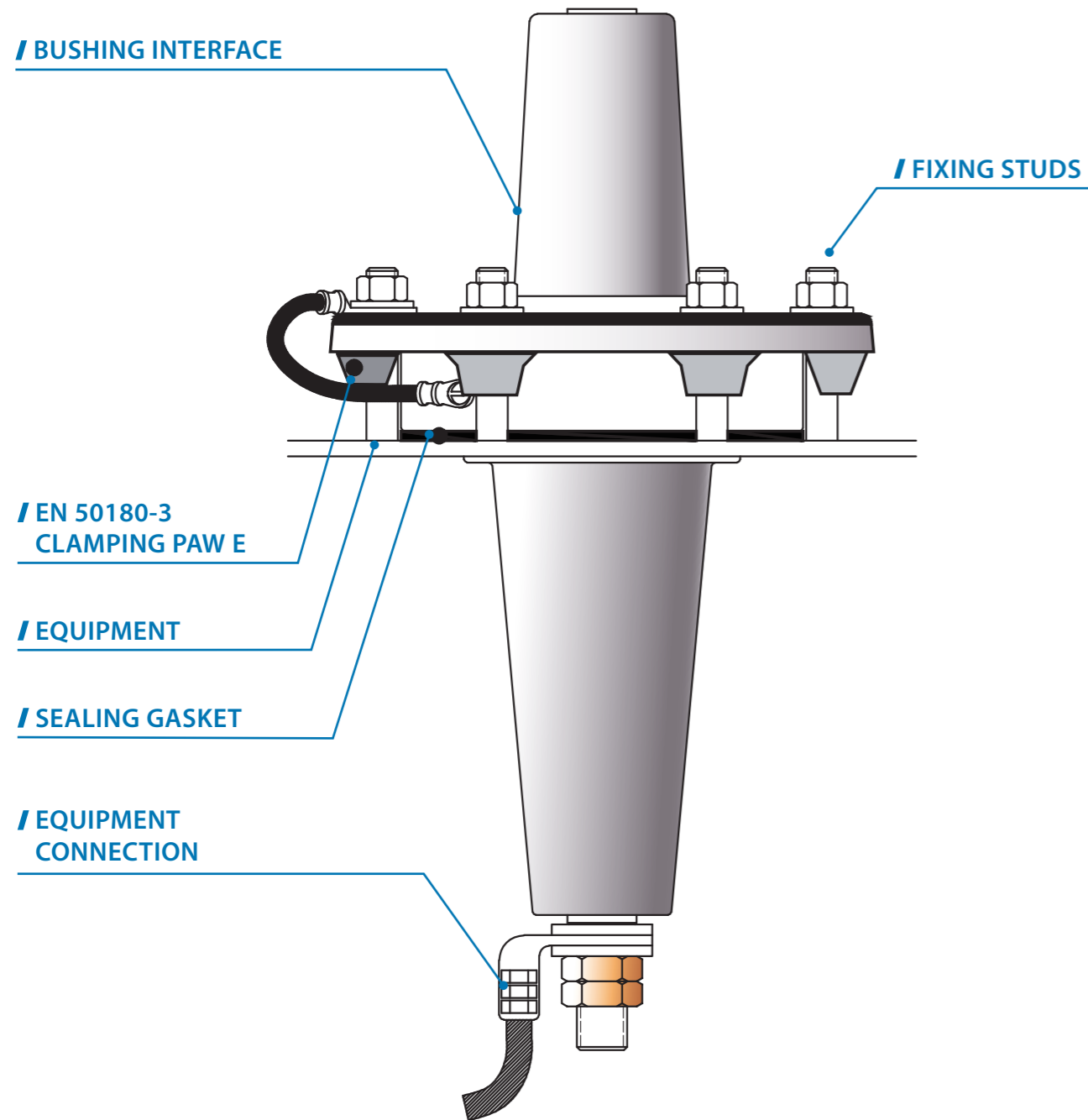
• 36-DIB630-032020-R EV01

ORDERING INFORMATION



Chardon Part Number	Dimensions	
	A	B
36-DIB630-1-I	398	213
36-DIB630-2-I	330	144

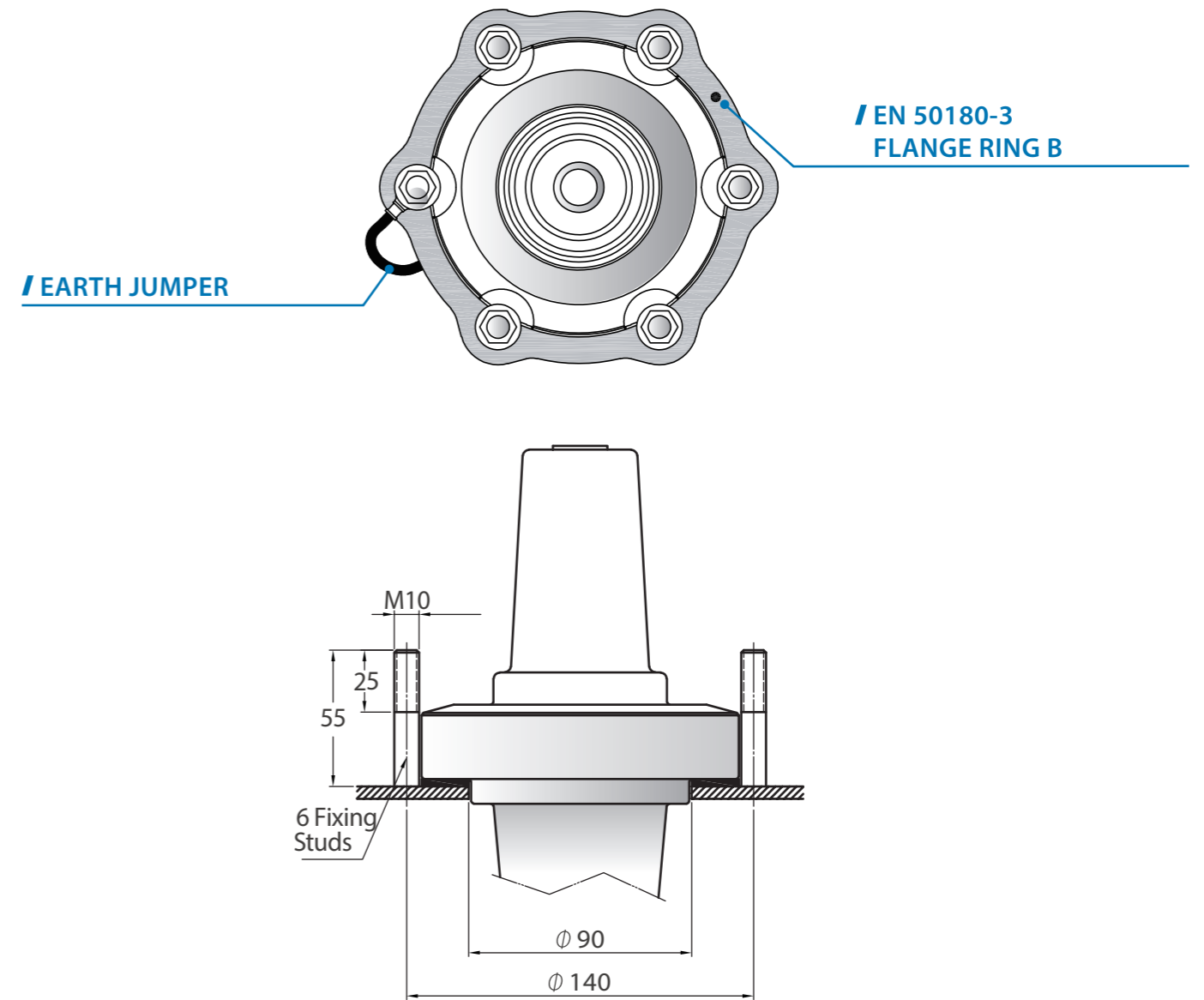
ORDERING INFORMATION



Fixings for Interface C1 Equipment Bushings

EN 50180-3 & DIN 42 538

ORDERING INFORMATION



Note:

To order components with the bushing, please follow the chart below:

Earth Lead	Chardon Part Number + EL
Earth Plate	Chardon Part Number + EP
Flange kit (Optional)	Chardon Part Number + EL+FL or EP+FL

Ordering Example:

To order a Chardon Interface C1 Equipment bushing A=398mm with earth plate and the flange, order the P/N: 36-DIB630-1-I-EP-FL;
To order a Chardon Interface C1 Equipment bushing A=330mm with earth lead only, the P/N will be 36-DIB630-2-I-EL.



CHARDON TAIWAN CORPORATION

No.37 Min-Chie Road, Tung Lo
Industrial Park, Miao Li, Taiwan 366

Tel : +886-37-984385

Fax : +886-37-984770

www.chardongroup.com • info@chardongroup.com