

IEC Separable Connectors **17.5 kV/24 kV, 630A**

Front T-Body / Coupling (Rear) T-Body Connector



APPLICATION

The Chardon T-Body Connectors terminate polymeric cable to dead front apparatus such as transformers, switchgear, and other equipment. Suitable for both indoor and outdoor use, they can be utilized with all

polymeric cable types (XLPE, EPR, etc.) and conductors of either copper or aluminum at voltages of 17.5 kV or 24 kV.

KEY FEATURES

- Provides a fully shielded and submersible connection when mated with the proper bushing or plug.
- Type "C" 630A Interface.
- Mounting can be vertical, horizontal, or any angle in between.
- No minimum phase clearance requirements.
- 100% electrical tested at factory.

PRODUCT RATINGS

Maximum Voltage Class (U _m)	24 kV
AC 5 Minute Withstand	54 kV
Minimum Corona Voltage Level	20 kV < 3pC
BIL and Full Wave Crest (Impulse)	125 kV
Thermal Short Circuit (Conductor, 2 sec.)	23 kA / 2s
Dynamic Short Circuit (Conductor, 10 sec.)	82 kA / 10ms
Continuous Current	630 A
Overload Current (8 hours maximum)	900 A

PRODUCTION TESTS

Tests conducted in accordance with IEC 60502-4.

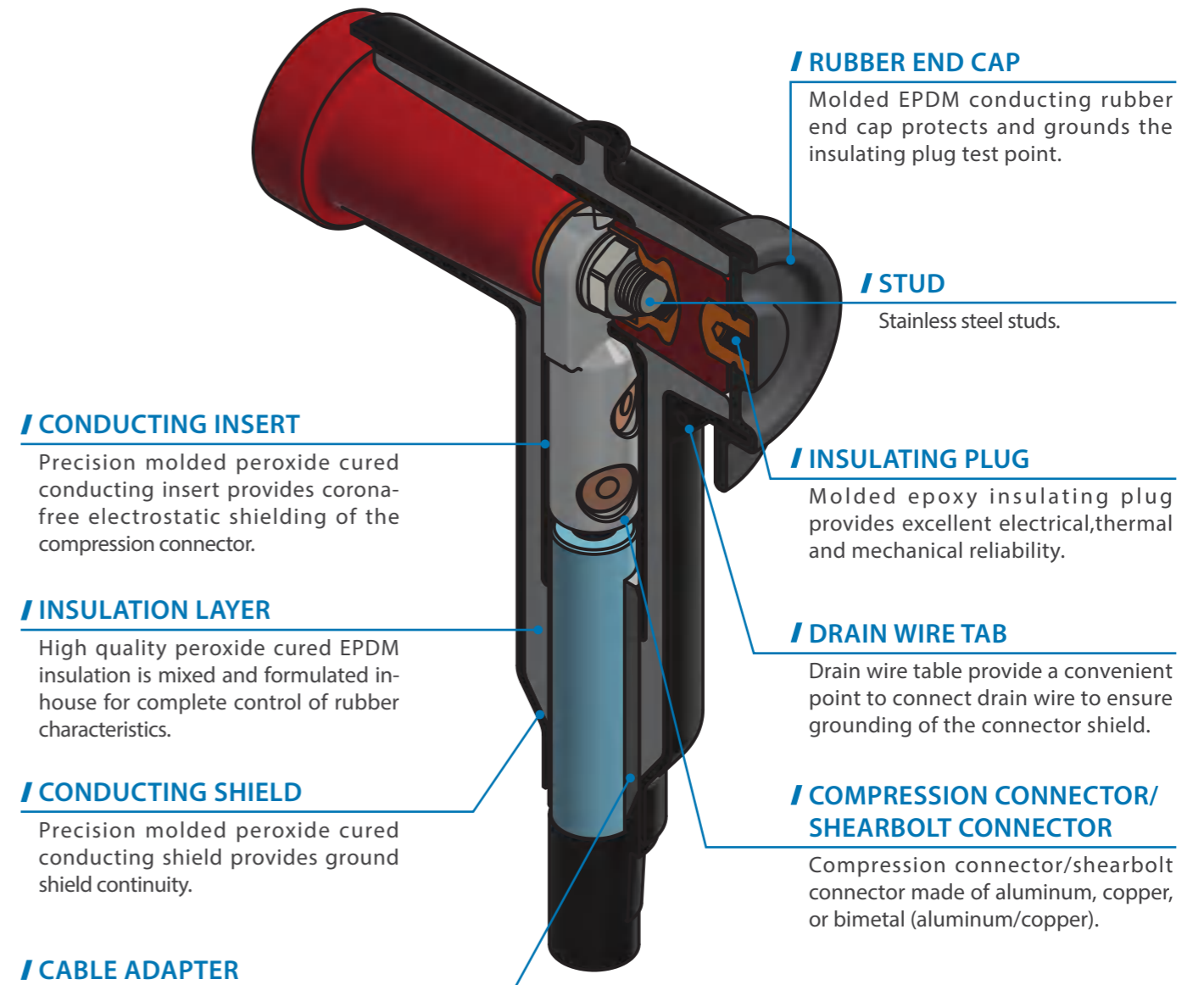
- Minimum Corona Voltage Level – 20 kV < 3pC
- AC 5 Minute Withstand – 54 kV

Tests conducted in accordance with Chardon manufacturing process requirements:

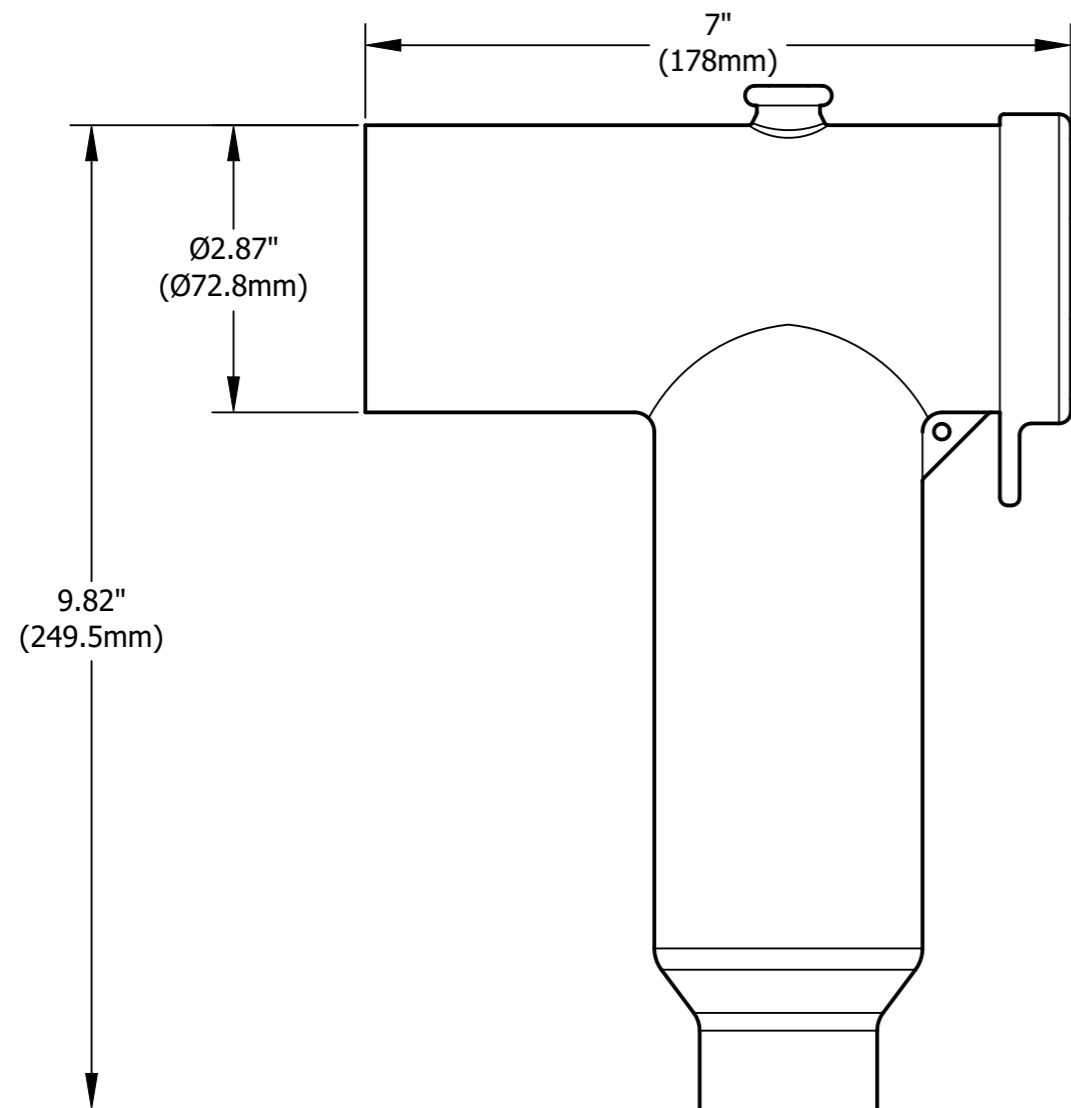
- Physical Inspection
- Periodic Dissection
- Periodic X-ray Analysis

• 24FDT630-24RDT630-013023-REV06

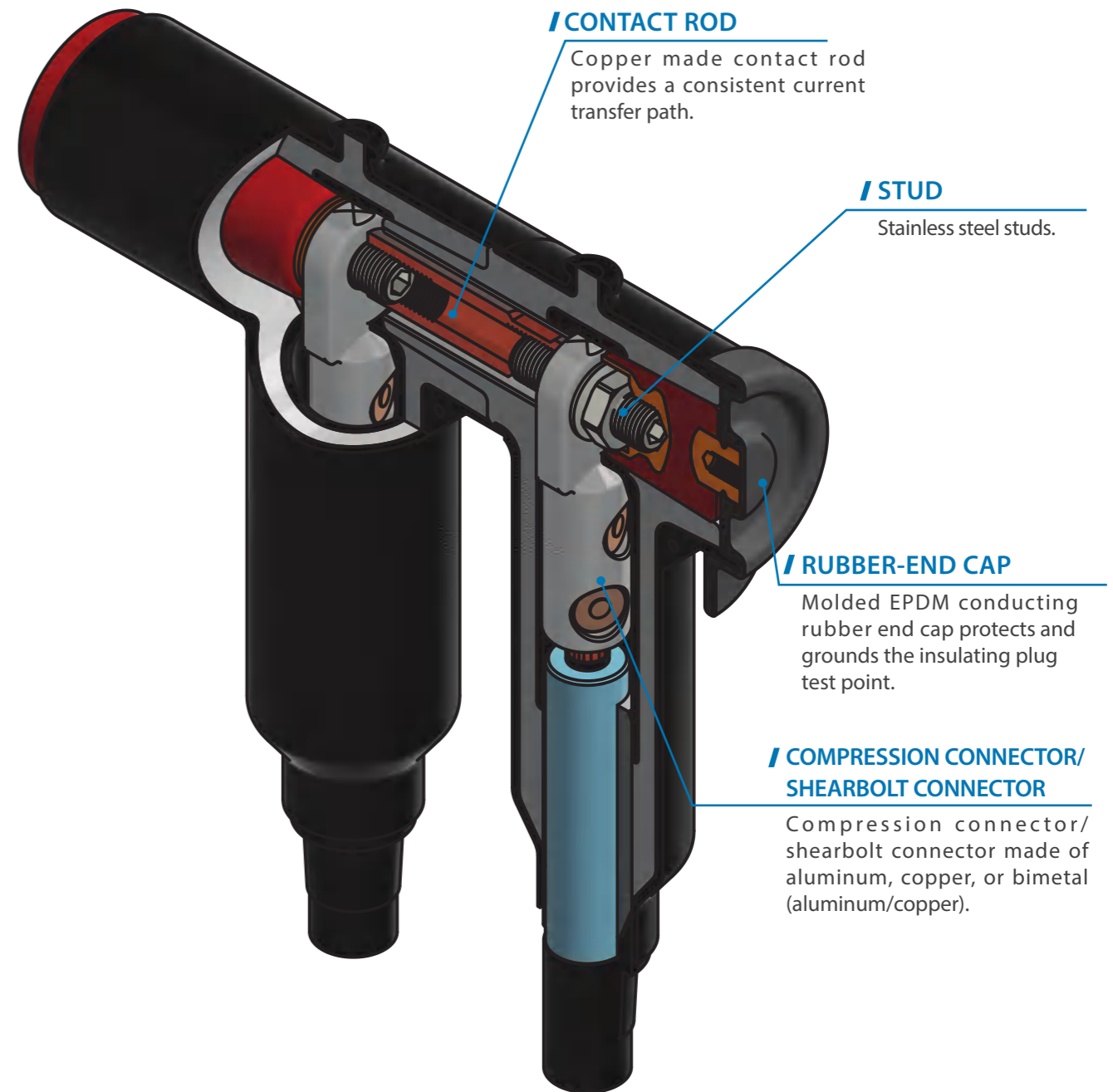
DETAILED COMPOSITION OF THE CHARDON 17.5 KV/24 KV FRONT T-BODY CONNECTOR



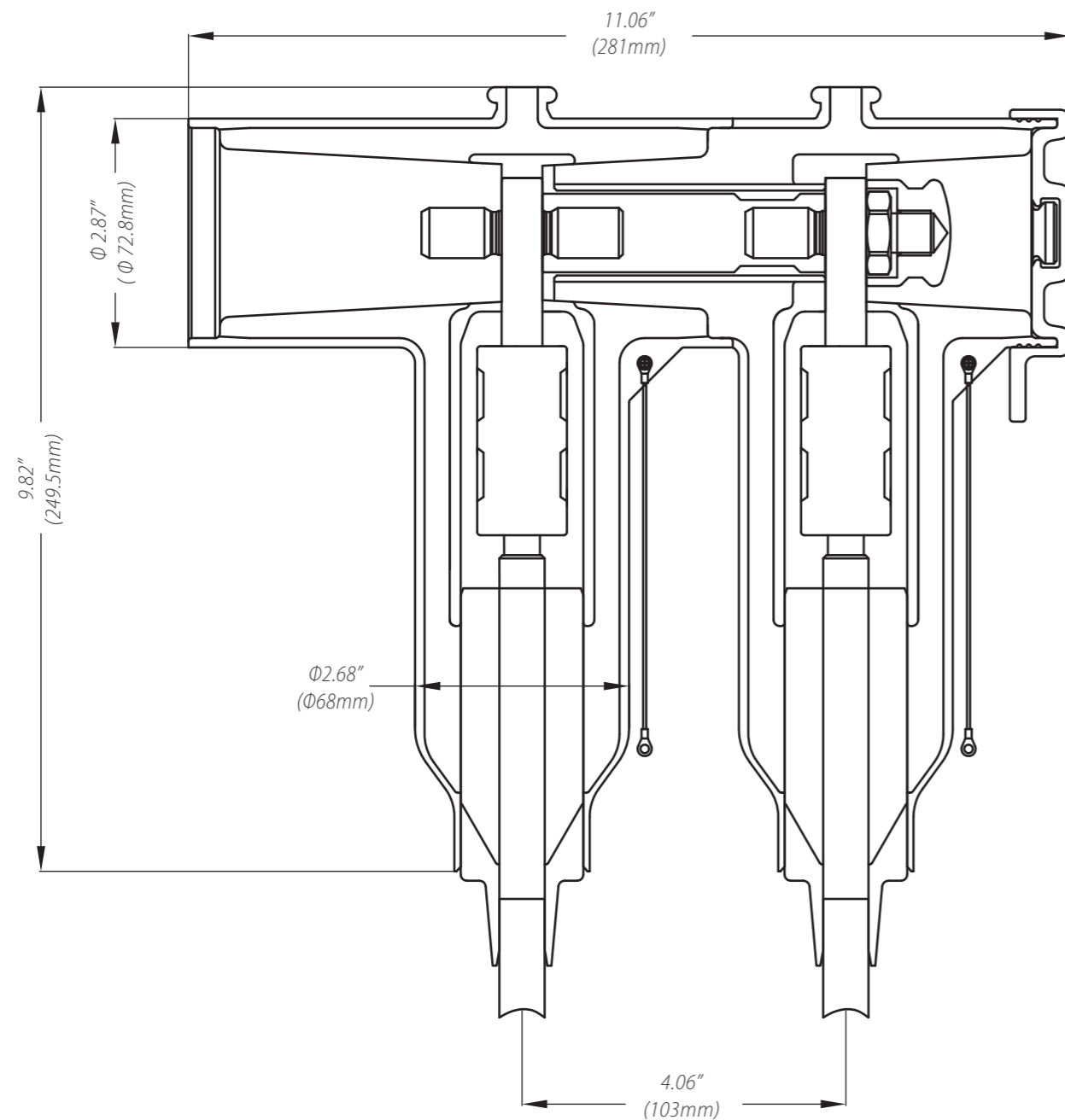
**DETAILED COMPOSITION OF THE CHARDON
17.5 KV/24 KV FRONT T-BODY CONNECTOR**



**DETAILED COMPOSITION OF THE CHARDON
17.5 KV/24 KV, COUPLING (REAR) T-BODY CONNECTOR**



**DETAILED COMPOSITION OF THE CHARDON
17.5 KV/24 KV, COUPLING (REAR) T-BODY CONNECTOR**



ORDERING INFORMATION

24-	---	630-	-	---	-
	STEP1		STEP2	STEP3	STEP4

STEP1 ---

Selection of Front / Rear T-body

Code	
FDT	Front T-body
RDT	Coupling (Rear) T-body

STEP3 ---

Selection of Conductor Size

Conductor Code	Conductor Size (mm ²)
25	25
35	35
50	50
70	70
95	95
120	120
150	150
185	185
240	240
300	300
400	400

STEP2 -

Selection of Cable Insulation Dimension

Range Code	mm
A	15.5 - 19.0
B	18.0 - 23.0
C	22.0 - 27.0
D	26.0 - 32.0
E	31.0 - 37.0

STEP4 -

Selection of Compression Connector Material

Code	
B	Bi-metal (Al & Cu)
C	Copper

Note :
When ordering a shear bolt connector in a kit, use the chart below and add code in the end of the part number, for example, SBC-B-25-50/1.

Selection of Shear Bolt Connector Material

Catalog No.	Conductor Range (mm ²)
SBC-B-25-50/1	25 - 50
SBC-B-70-95/1	70 - 95
SBC-B-70-120/2	70 - 120
SBC-B-150-240/2	150 - 240

Ordering Example:

For a CHARDON 24kV Front T-body with cable insulation outer dimension of 26.4mm and a conductor size of 185mm² with copper compression connector, the part number would be as follows.

24-	FDT	630	C	185	C
-----	------------	------------	----------	------------	----------

If a shear bolt connector is selected in this kit, the part number would be as follows:

24-	FDT	630	C	SBC-B-25-50/1
-----	------------	------------	----------	----------------------



CHARDON TAIWAN CORPORATION

No.37 Min-Chie Road, Tung Lo
Industrial Park, Miao Li, Taiwan 366

Tel : +886-37-984385

Fax : +886-37-984770

www.chardongroup.com • info@chardongroup.com