

Chardon 25kV & 35 kV 600/900A Bushing Extender



APPLICATION

The Chardon 25/35 kV 600/900A bushing Extender allows for coupling reducing tap plugs, connecting plugs and apparatus bushings. When assembled to mating apparatus, it provides a completely submersible, fully shielded and insulated connection for deadbreak applications that meet the requirements of IEEE Std 386™ standard.

KEY FEATURES

- Provides a fully shielded and submersible connection.
- No minimum phase clearance requirements.

PRODUCTION TESTS

Tests conducted in accordance with IEEE 386:

- Partial Discharge
- AC Withstand
- Impulse Withstand

Tests conducted in accordance with Chardon manufacturing process requirements:

- Physical Inspection
- Periodic Dissection
- Periodic X-ray Analysis

PRODUCT RATINGS

Voltage Ratings	25 kV	35 kV	Current Ratings	600 A	900 A
Voltage Class, Phase-to-Phase	25 kV	35 kV	Continuous	600 A rms	900 A rms
Max. Op. Voltage – (phase-to-ground)	15.2 kV	21.1 kV	4 Hours Overload	900 A rms	1200 A rms
Corona Voltage Level	19 kV	26 kV	Continuous	25,000 rms symmetrical for 0.17 s	40,000 rms symmetrical for 0.17 s
AC Withstand (1 minute)	40 kV	50 kV		10,000 rms symmetrical for 3.00 s	10,000 rms symmetrical for 3.00 s
Impulse-Withstand Voltage (BIL)	125 kV	150 kV			

• 25/35BE600/900-092222 REV03

DETAILED COMPOSITION OF THE CHARDON 25KV 600/900A BUSHING EXTENDER

SEMICONDUCTING SHIELD

Precision molded peroxide cured semiconducting shield provides ground shield continuity.

DRAIN WIRE TAB

Drain wire tabs provide a convenient point to connect drain wire to ensure grounding of the connector shield.

INSULATION LAYER

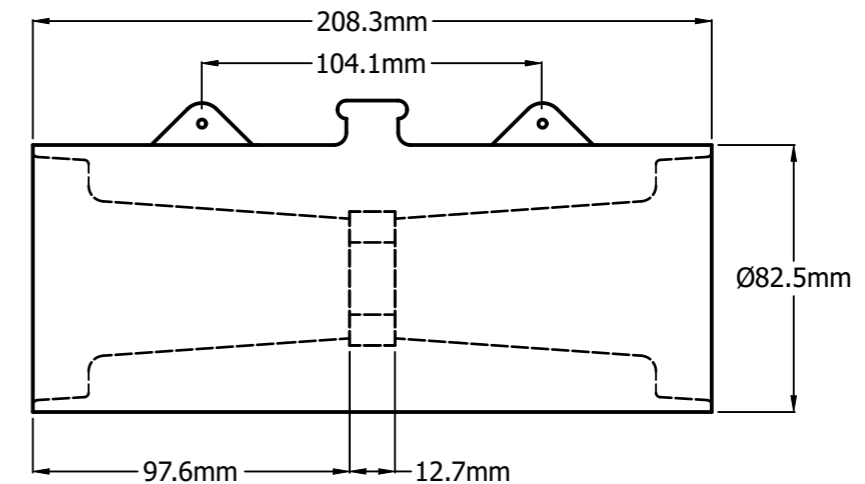
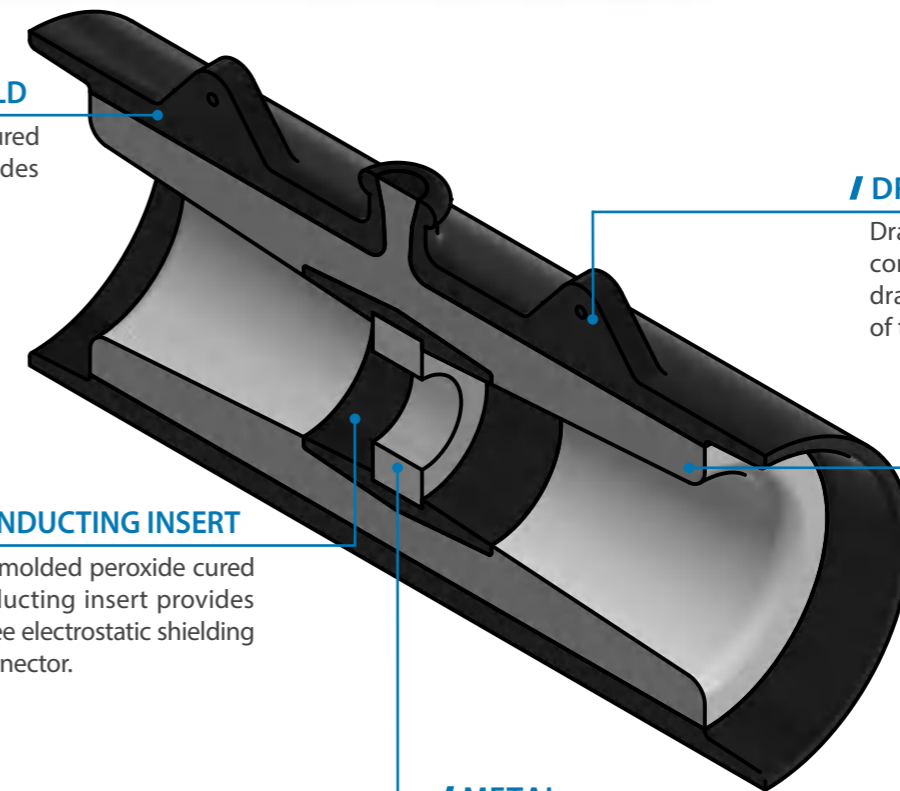
High quality peroxide cured EPDM insulation is mixed and formulated in-house for complete control of rubber characteristics.

SEMICONDUCTING INSERT

Precision molded peroxide cured semiconducting insert provides corona-free electrostatic shielding of the connector.

METAL

600A for aluminum and 900A for copper conductors



ORDERING INFORMATION

25 kV 600A Bushing Extender

25-BE600

25 kV 900A Bushing Extender

25-BE900

**DETAILED COMPOSITION OF THE CHARDON
35kV 600/900A BUSHING EXTENDER**

ORDERING INFORMATION

/ SEMICONDUCTING SHIELD

Precision molded peroxide cured semiconducting shield provides ground shield continuity.

/ DRAIN WIRE TAB

Drain wire tabs provide a convenient point to connect drain wire to ensure grounding of the connector shield.

/ INSULATION LAYER

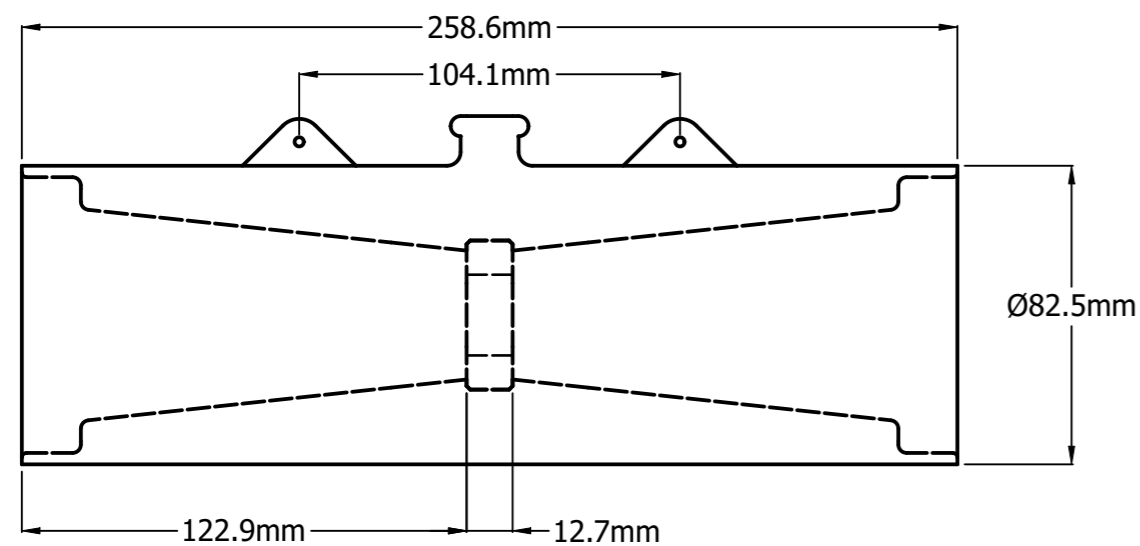
High quality peroxide cured EPDM insulation is mixed and formulated in-house for complete control of rubber characteristics.

/ SEMICONDUCTING INSERT

Precision molded peroxide cured semiconducting insert provides corona-free electrostatic shielding of the connector.

/ METAL

600A for aluminum and
900 A for copper conductors



35 kV 600A Bushing Extender

35-BE600

35 kV 900A Bushing Extender

35-BE900



CHARDON TAIWAN CORPORATION

No.37 Min-Chie Road, Tung Lo
Industrial Park, Miao Li, Taiwan 366

Tel : +886-37-984385

Fax : +886-37-984770

www.chardongroup.com • info@chardongroup.com