

IEC Separable Connectors 42kV Interface C 1250A Junction



APPLICATION

The Chardon 42 kV 1250 A Interface C Junction provides three or four interfaces in an EPDM insulated rubber body. Interface C Junctions are used in pad-mounted apparatus, underground vaults, and other installations to connect equipment and cable on primary feeder and network circuits.

Chardon connectors feature bolted connections that can be easily connected and disconnected. When amted with a comparably rated product, the junction provides a fully shielded, submersible connection. The interface C Junction is available with stainless steel "U" straps for direct wall mounting.

PRODUCTION TESTS

Tests conducted in accordance with BS HD 629.1

- Minimum corona voltage level – 42 kV \leq 10pC
- AC 5 Minute Withstand – 93.5 kV

Tests conducted in accordance with Chardon manufacturing process requirements:

- Physical Inspection
- Periodic Dissection
- Periodic Fluoroscopic Analysis

PRODUCT RATINGS

Maximum Voltage Class (U_m)	42 kV
AC 5 Minute Withstand	93.5 kV
Minimum Corona Voltage Level	42 kV < 10pC
BIL and Full Wave Crest (Impulse)	200 kV
Thermal Short Circuit (Conductor, 3 sec.)	45 kV
Dynamic Short Circuit	100 kA
Continuous Current	1250 A

• 42-DJ1250-20220818-REV02

ORDERING INFORMATION

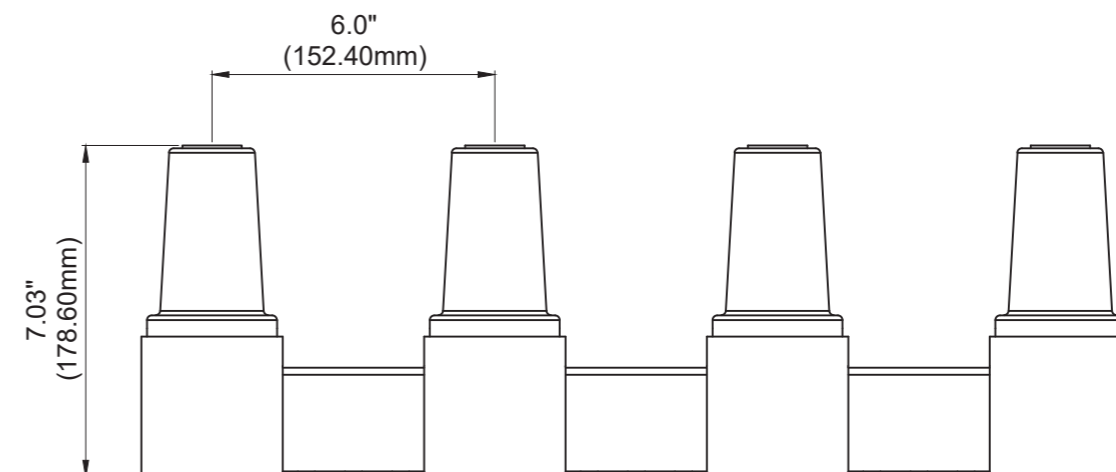
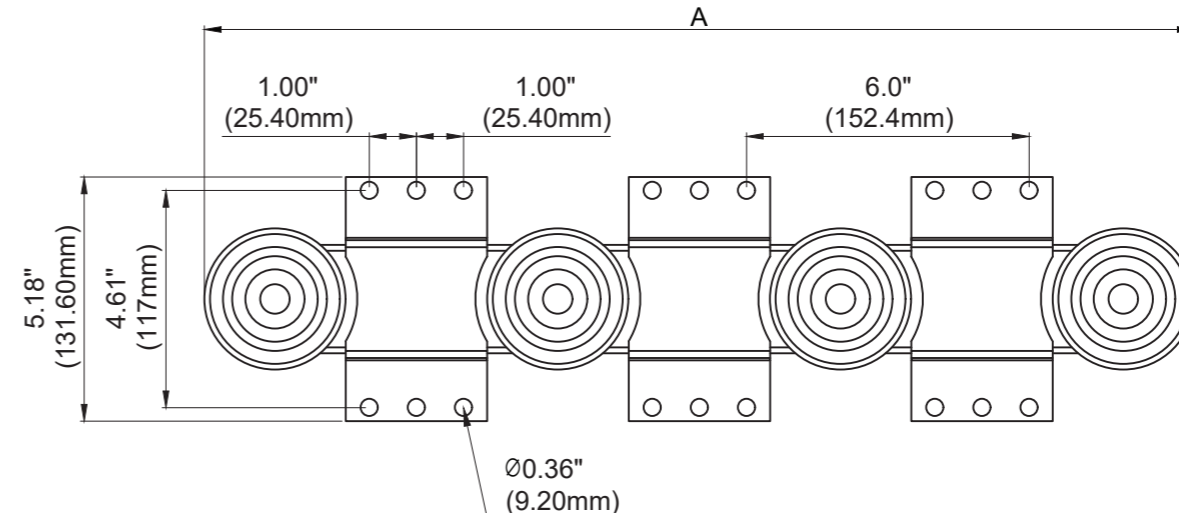
Each kit Contains:

- Interface C Junction (with straps, depending on product ordered)
- Shipping Caps (not for energized operation)
- Silicone Grease
- Installation Instruction Sheet

Interface C Junction Part Numbers

Description	Junction Only	Junction with U-Straps
42kV 1250A Interface C - 3 way	42-DJ1250F3	42-DJ1250F3U
42kV, 1250A Interface C - 4 way	42-DJ1250F4	42-DJ1250F4U

Dimensional Information



Number of Interfaces	Physical Dimensions in./mm
	A
3-way	15.0 [381.0]
4-way	21.0 [533.4]



CHARDON TAIWAN CORPORATION

No.37 Min-Chie Road, Tung Lo
Industrial Park, Miao Li, Taiwan 366

Tel : +886-37-984385

Fax : +886-37-984770

www.chardongroup.com • info@chardongroup.com