

# Isolation Link



## APPLICATION

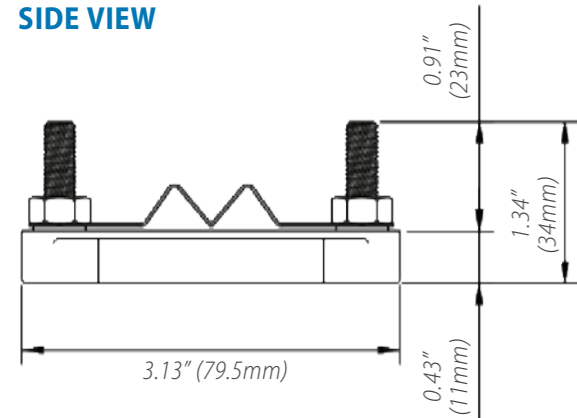
The Chardon Isolation Link is used in series with bayonet type expulsion fuses to provide extra protection during re-fusing operations. Isolation links are not fuses and do not have an interrupting rating. During a low impedance transformer failure, the isolation link will melt so that the opened primary circuit of a failed transformer cannot be re-energized by the utility line crew. Chardon Isolation Links are fully interchangeable with links of other manufacturers.

The design of the isolation link protects the link element from handling damage that can cause nuisance open circuits inside the transformer.

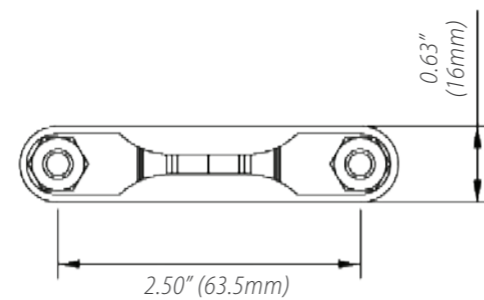
No special tools are required. Chardon Isolation Links are designed to be bolted directly to the lower connection tab of the bayonet fuse holder in series between the primary transformer bushing and primary coil.

## DIMENSIONAL INFORMATION

SIDE VIEW



FRONT VIEW



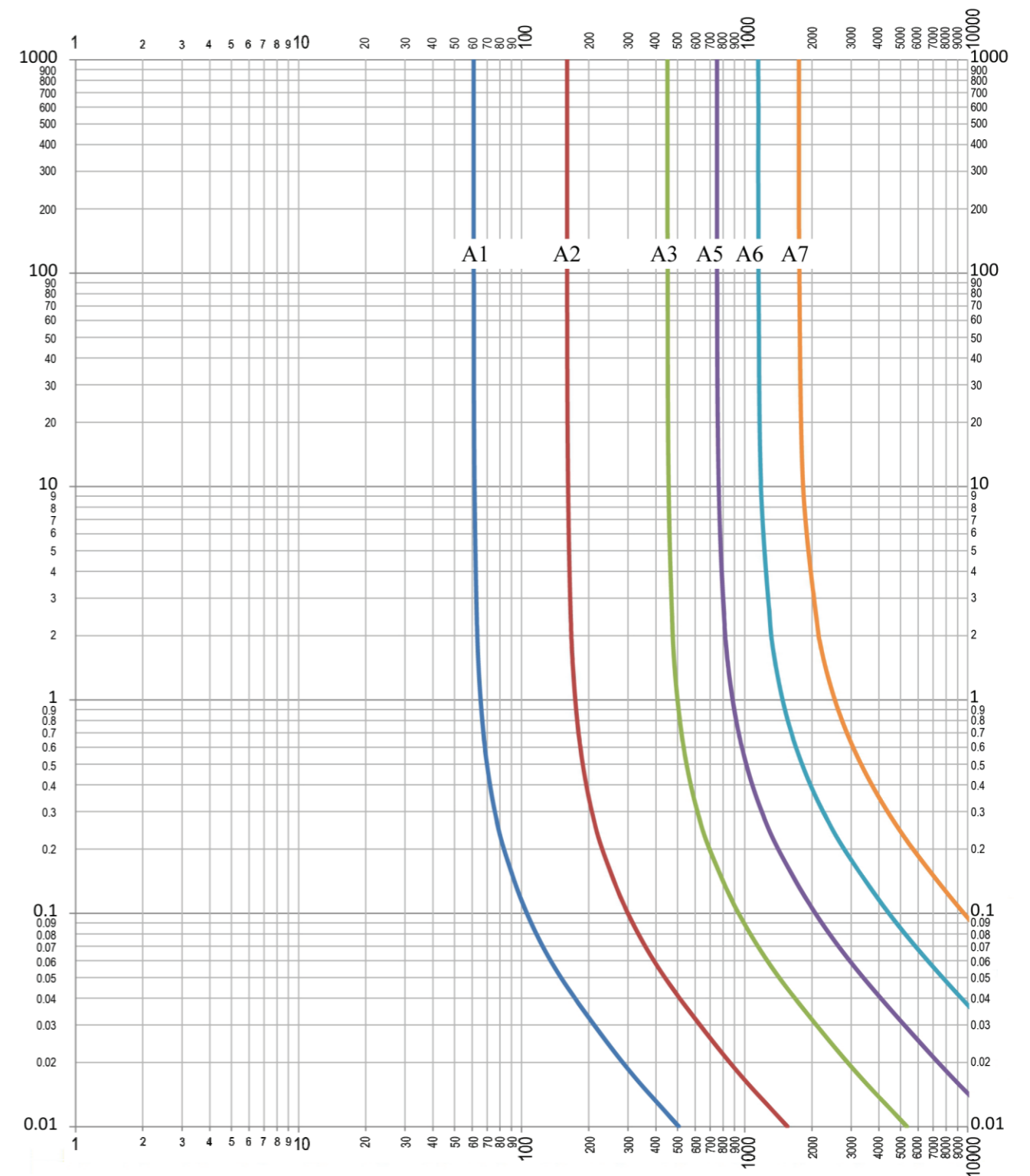
## ORDERING INFORMATION

To order Chardon Isolation Links, use the reference chart below. Please refer to the minimum melting time-current characteristic curves to select part number or refer to Cooper isolation link part number as a part number reference.

Chardon Part Number	Time-Current Code	Cooper Isolation Link Part Number
CHILA01M	A1	3001861A01M
CHILA02M	A2	3001861A02M
CHILA03M	A3	3001861A03M
CHILA05M	A5	3001861A05M
CHILA06M	A6	3001861A06M
CHILA07M	A7	3001861A07M

• CHIL-112316-REV01

## CHARDON ISOLATION LINK MINIMUM MELTING TIME-CURRENT CHARACTERISTIC CURVES





**CHARDON TAIWAN CORPORATION**

No.37 Min-Chie Road, Tung Lo  
Industrial Park, Miao Li, Taiwan 366

Tel : +886-37-984385

Fax : +886-37-984770

[www.chardongroup.com](http://www.chardongroup.com) • [info@chardongroup.com](mailto:info@chardongroup.com)