

15kV 200A ANSI Sidewall Mounted Bay-O-Net Fuse Holder

Installation Instructions

DANGER & IMPORTANT:

1. All apparatus must be installed and operated in accordance with individual user, local and national work rules. These instructions do not attempt to provide for every possible contingency.
2. Read entire installation instructions before starting. Have all required tools at hand and maintain cleanliness throughout the procedure.

ANSI Sidewall Bayonet Fuse Holder Instructions:

Step 1. Put the Outer Tube of the fuse holder into the side wall of the tank (see Figure 1&2). The gasket was inside of tank wall, and the fixed nut was outside of tank wall like the figure 1. Screw up lock nut, then tighten by the wrench of one quarter to one half circles, tighten lock nut within 18-20N.m to the seal effect. If the Outer Tube is installed into the tank with the wall thickness equal or more than 1/4” (6.35mm), the lock nut front side with the cavity number(1 or 2) should be towards the outside of the tank.

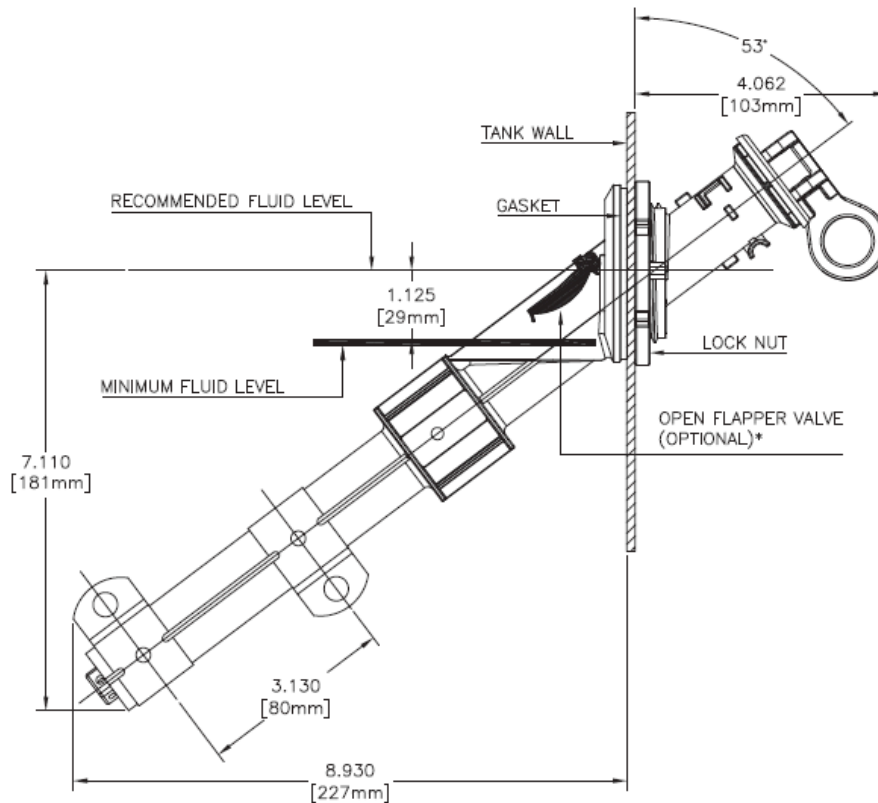
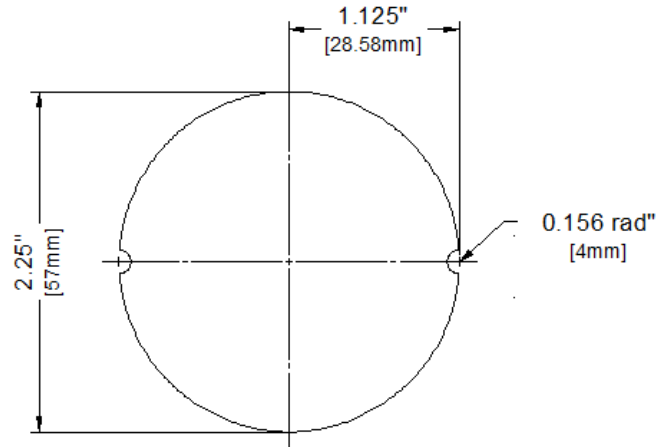


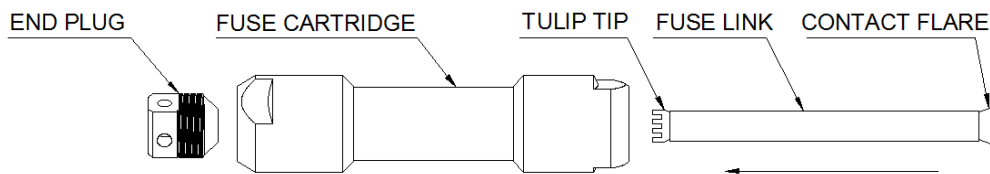
Figure 1 Installation view of the Sidewall-Mount Bayonet Fuse Holder



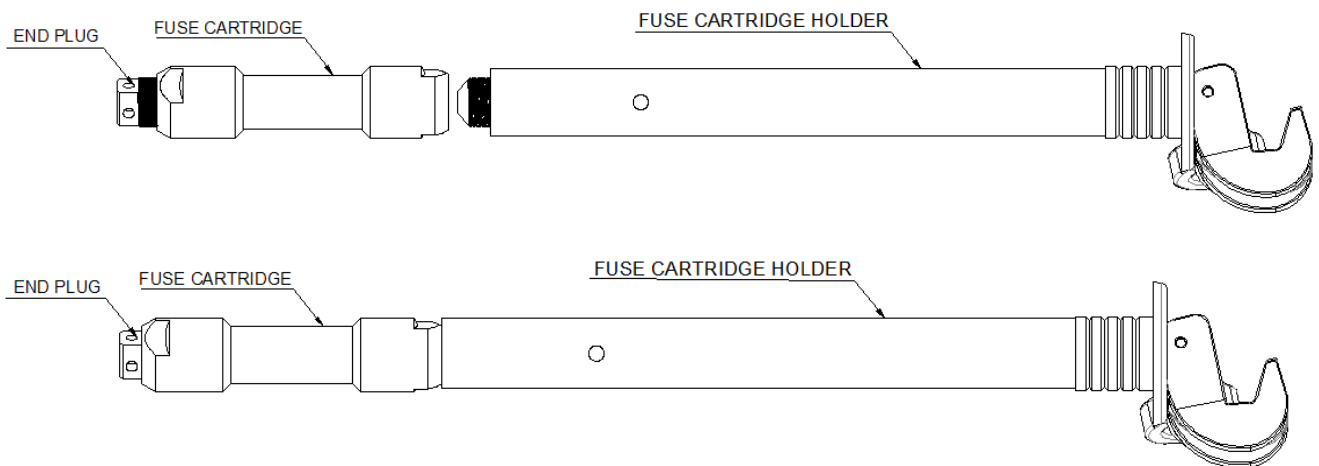
(Figure 2 Tank mounting hole for sidewall-mounted assembly)

Step 2. High voltage input connect to the load switch or backup protection fuse, then connect the backup protection fuse or load switch to the bottom contact of the fuse holder, then connect the transformer winding to the upper contact of the fuse holder. (IMPORTANT: All cables need to be lower than minimum fluid level)

Step 3. Put the fuse into the fuse cartridge (see Figure 3). lock the end plug; then put the fuse cartridge with fuse into the fuse cartridge holder.(see Figure 4).

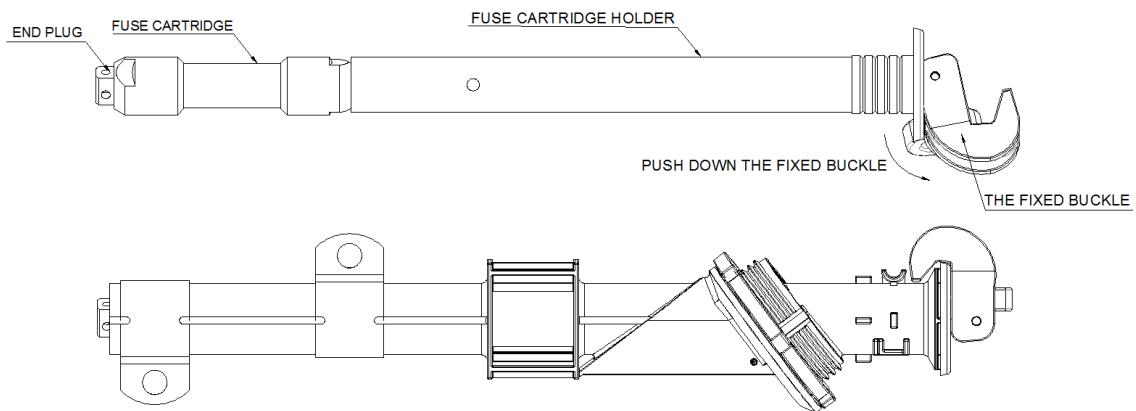


(Figure 3 Put the fuse into the fuse cartridge)



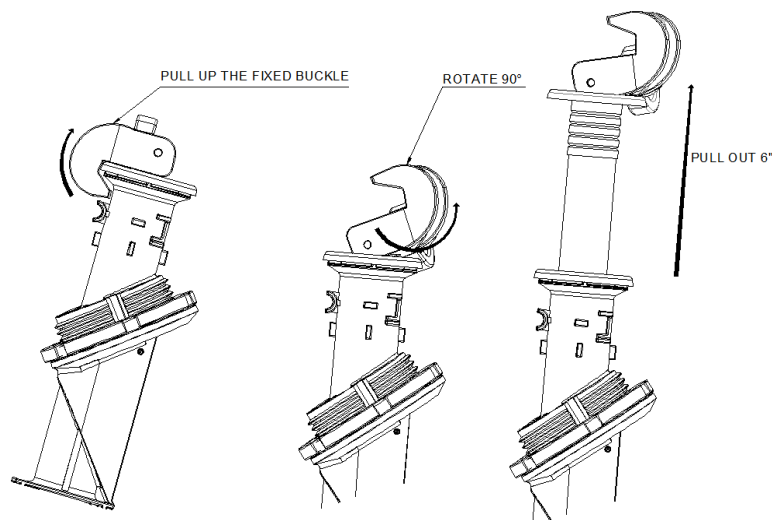
(Figure 4 Install the fuse cartridge into the fuse cartridge holder)

Step 4. Put the fuse cartridge holder Assembly (with the fuse cartridge and end plug) into the outer tube of fuse holder completely, then push down the fixed buckle and lock.(see Figure 5).



(Figure 5 Push down the fixed buckle)

Step 5. If you want to remove the existing fuse, Please pull up and rotate the fixed buckle 90° clockwise in the housing to break any adhesion between the gasket and the housing. Quickly pull the fuse holder out approximately 6 inches to open the circuit. Wait a few seconds for oil to drain back into the tank, then completely withdraw fuse holder. (See Figure 6).



(Figure 6 pull out the fuse holder)

Because these instructions do not attempt to provide for every possible contingency, contact us immediately if have any problems or questions during install connector.

CHARDON GROUP

No. 808, TaiJi Road, EDZ Guangde City,
Anhui Province, CHINA

Tel: +86-0563-2216688 Fax: +86-0563-2251805

Mail: sales@chardongroup.com <https://www.chardongroup.com/>

