

# INTERFACE C Connecting Plug



## APPLICATION

The Chardon Connecting Plug is molded from high quality insulating epoxy material. It meets all the requirements of the DIN47636 standard. The interface is type C, per the specification of standard EN50181. The Chardon Connecting Plug is interchangeable with other manufacturer's products that meet the same standard. The Chardon Connecting Plug can be installed in

junction boxes or other equipment, and used in conjunction with T-body connectors and arresters. The product is fully insulated and submersible, designed to be fully functional in underwater applications.

## PRODUCTION TESTS

The following tests are conducted in accordance with IEC60502-4 and GB/T12706.4. All production tests are conducted on 100% of products manufactured.

Chardon Catalog Number	Voltage Class	Partial Discharge (3pc)	AC Withstand	Impulse Withstand
24-TCP630	17.5 / 24 kV	20 kV	54 kV / 5min	125 kV
36-TCP630	36 kV	30 kV	81 kV / 5min	170 kV
42-TCP630	42 kV	45 kV	117 kV / 5min	200 kV
42-TCP1250	42 kV	45 kV	117kV / 5min	200 kV

Additional tests conducted in accordance with Chardon manufacturing process requirements:

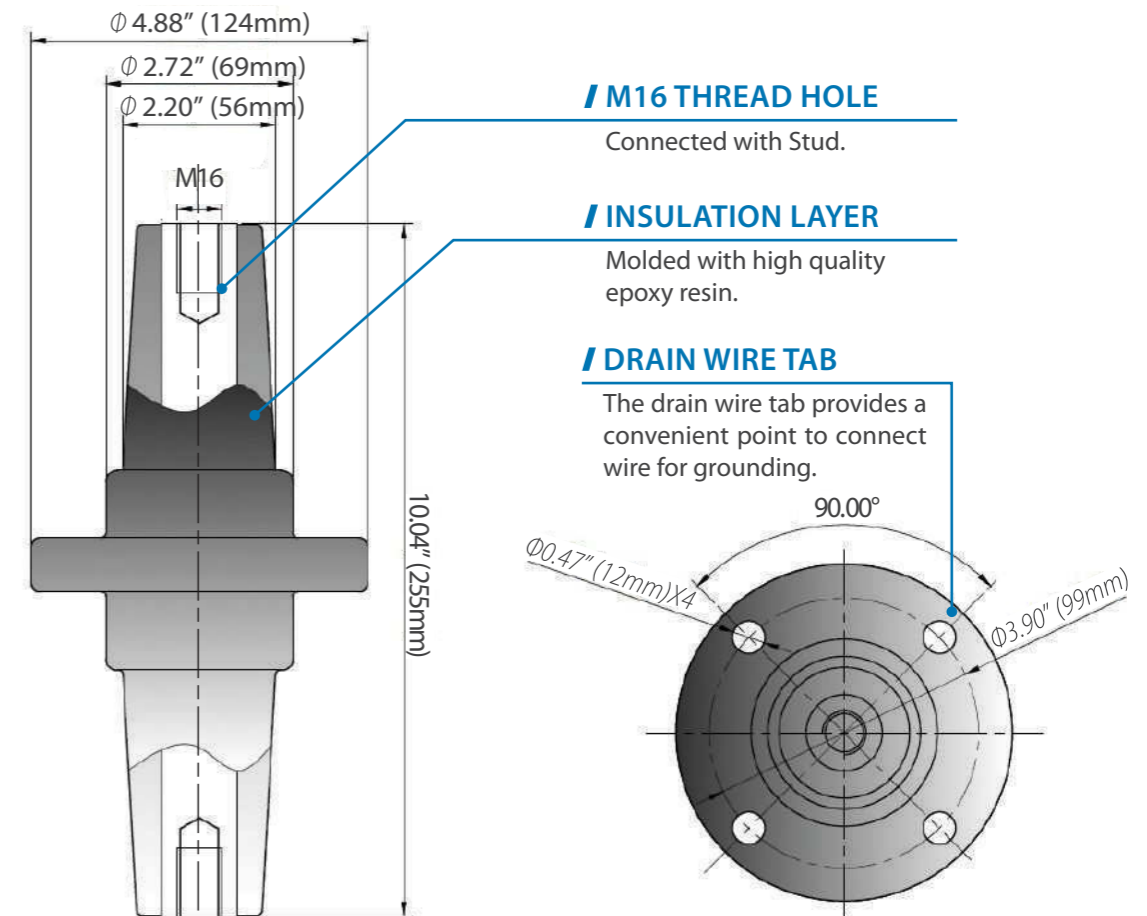
- / Physical Inspection
- / Periodic Dissection
- / Periodic X-ray Analysis
- / Periodic Impulse Withstand Voltage Test

## VOLTAGE RATINGS

Chardon Catalog Number	24-TCP630	36-TCP630	42-TCP630	42-TCP1250
<b>Voltage Class (U<sub>m</sub>)</b>	17.5 / 24 kV	36 kV	42 kV	42 kV
<b>AC Withstand Voltage</b>	54 kV / 5 min	81 kV / 5min	117 kV / 5 min	117 kV / 5 min
<b>Partial Discharge</b>	20 kV ≤ 10 pC	30 kV ≤ 10 pC	45 kV ≤ 10 pC	45 kV ≤ 10 pC
<b>Impulse Withstand Voltage ( 10 times for each polarity)</b>	125kV	170 kV	200 kV	200 kV
<b>Current Rating</b>	630 A	630 A	630 A	1250 A

• 24-36-42TCP-051120-REV03

## DETAILED COMPOSITION OF THE CHARDON CONNECTING PLUG



## ORDERING INFORMATION

Interface C Connecting Plug	
17.5/24 kV 630A Connecting Plug	24-TCP630
36 kV 630A Connecting Plug	36-TCP630
42 kV 630A Connecting Plug	42-TCP630
42 kV 1250A Connecting Plug	42-TCP1250



**CHARDON TAIWAN CORPORATION**

No.37 Min-Chie Road, Tung Lo  
Industrial Park, Miao Li, Taiwan 366

Tel : +886-37-984385

Fax : +886-37-984770

[www.chardongroup.com](http://www.chardongroup.com) • [info@chardongroup.com](mailto:info@chardongroup.com)