

IEC Separable Connectors

36kV 400A Front T-Body Connector



APPLICATION

Chardon 36kV 400A Front T-Body Connectors are fully screened and fully submersible when mated with proper bushings or plugs. The products are used to terminate polymeric cable to dead front apparatus such as transformers, switchgear, and other equipment.

It is designed in accordance with Type B-400A interface as described by EN 50180 and

50181. The Chardon T-body Connectors are suitable for indoor or outdoor applications, and are able to be used for all polymeric cable types (XLPE, ETP, etc.) with copper or aluminum conductors. The design is especially suited for the harsh off-shore or wind farm environment, where long runs and large cable sizes are needed.

KEY FEATURES

- Provides a fully shielded and submersible connection when mated with the proper bushing or plug.
- Type "B" 400A interface.
- Mounting can be vertical, horizontal, or any angle in between.
- No minimum phase clearance requirements.
- 100% electrical tested in production.

PRODUCT RATINGS

Maximum Voltage Class (U_m)	36 kV
AC 5 Minute Withstand	81 kV
DC 15 Minute Voltage Withstand	72 kV
Minimum Corona Voltage Level	30 kV < 10pC
BIL and Full Wave Crest (Impulse)	170 kV
Thermal Short Circuit (Conductor, 2 sec.)	23 kA
Dynamic Short Circuit	82 kA
Continuous Current	400 A

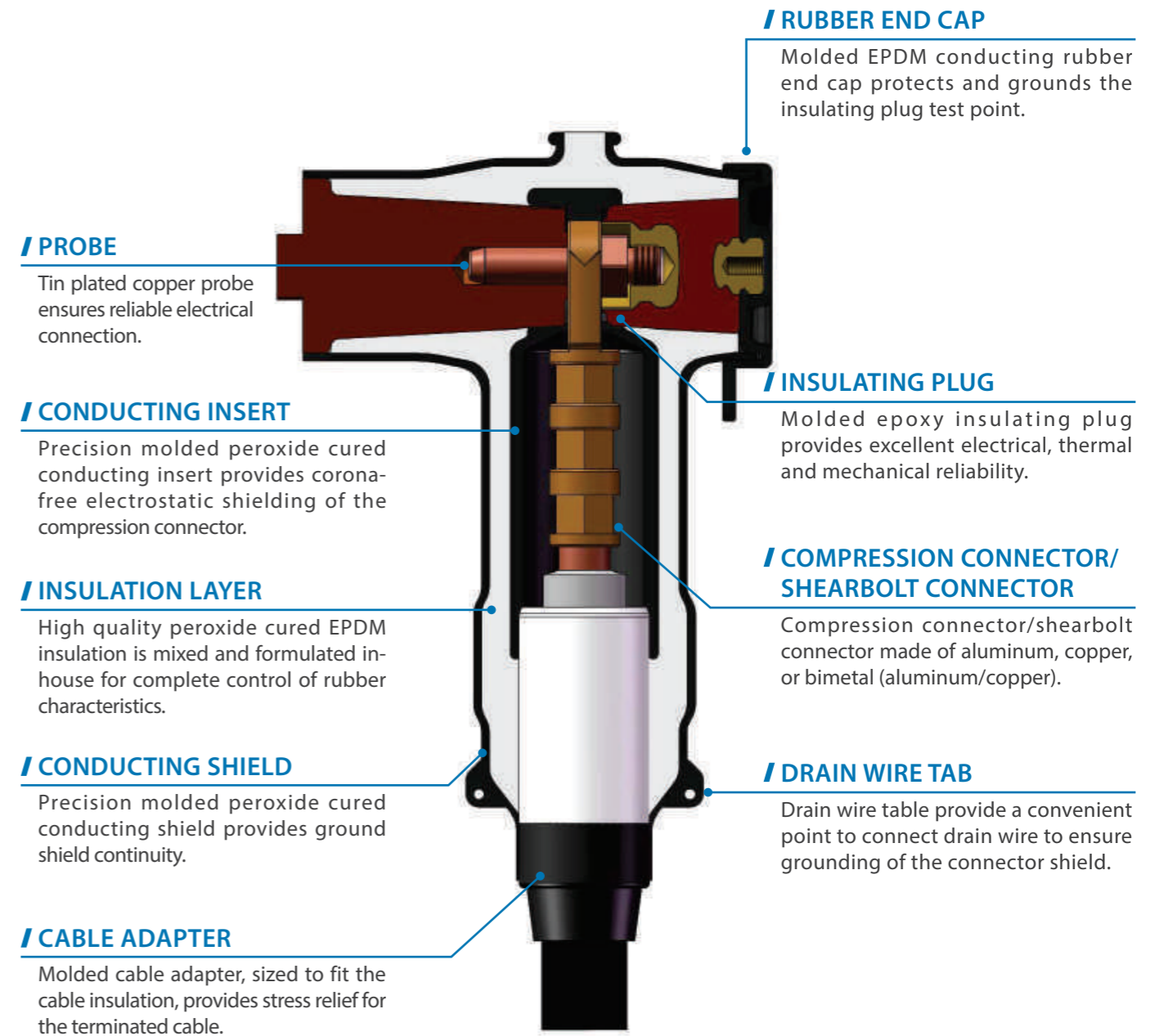
PRODUCTION TESTS

Tests conducted in accordance with IEC 60502-4.

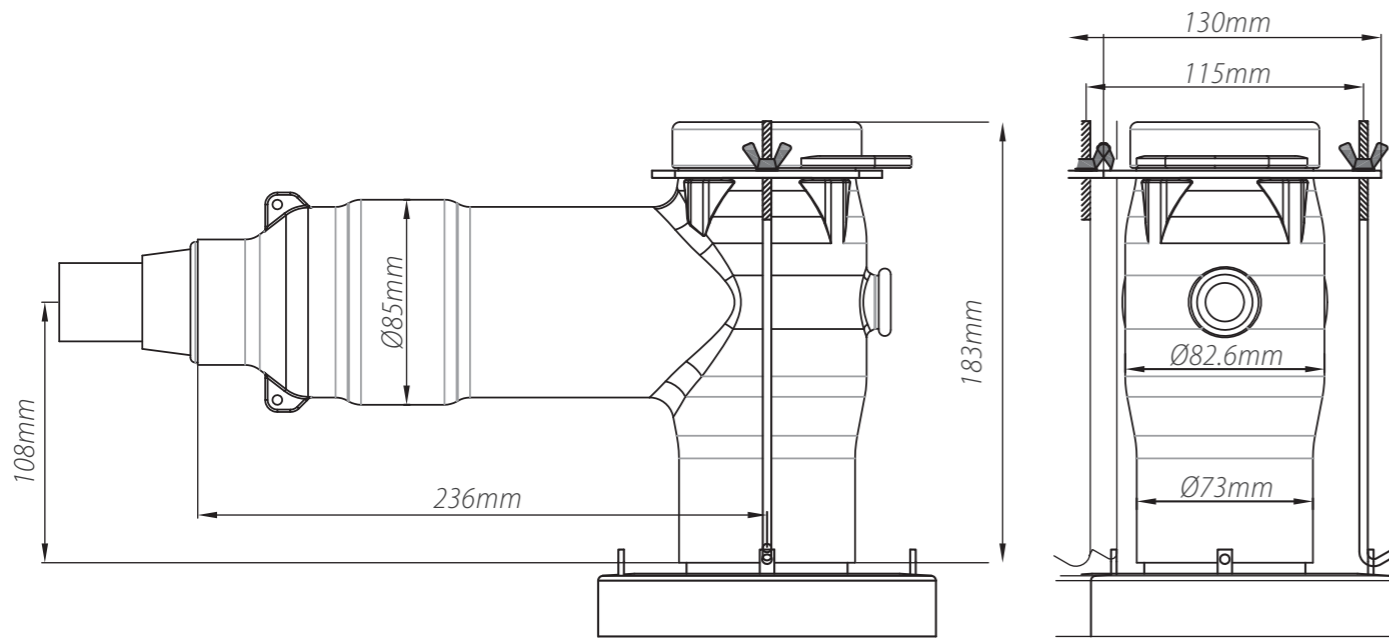
- Minimum Corona Voltage Level – 30 kV \leq 3pC
- AC 5 Minute Withstand – 81 kV

• 36FDT400-100218-REV01

DETAILED COMPOSITION OF THE CHARDON 36 KV 400A FRONT T-BODY CONNECTOR



DETAILED COMPOSITION OF THE CHARDON 36 KV 400A FRONT T-BODY CONNECTOR



ORDERING INFORMATION

36	---	400	-	---	-
	STEP1		STEP2	STEP3	STEP4

STEP1

Selection of Front T-body

Code	
FDT	Front T-body

STEP2

Selection of Cable Insulation Dimension

Range Code	Inches	mm
LA	0.610 - 0.748	15.5 - 19.0
LB	0.709 - 0.827	18.0 - 21.0
LC	0.787 - 0.905	20.0 - 23.0
LD	0.866 - 0.984	22.0 - 25.0
LE	0.945 - 1.063	24.0 - 27.0
LF	1.024 - 1.142	26.0 - 29.0
LG	1.102 - 1.260	28.0 - 32.0
LH	1.220 - 1.339	31.0 - 34.0
LI	1.299 - 1.457	33.0 - 37.0
LJ	1.417 - 1.535	36.0 - 39.0
LK	1.496 - 1.654	38.0 - 42.0

STEP3

Selection of Conductor Size

Conductor Code	Conductor Size (mm ²)
25	25
35	35
50	50
70	70
95	95
120	120
150	150
185	185
240	240
300	300
400	400

STEP4

Selection of Compression Connector Material

Code	
B	Bi-metal (Al & Cu)
C	Copper

Selection of Shear Bolt Connector Material

Catalog No.	Conductor Range (mm ²)
TSBC-B-25-50/1	25 - 50
TSBC-B-70-95/1	70 - 95
TSBC-B-70-120/2	70 - 120
TSBC-B-150-240/2	150 - 240

Ordering Example:

For a CHARDON 36 kV 400A Front T-body with cable insulation outer dimension of 26.4 mm and a conductor size of 85 mm² with copper compression connector, the part number would be as follows:

36-	FDT	400	LE	185	C
-----	------------	-----	----	-----	---

If using Shear Bolt Connectors, the part number would be as follows:

36-	FDT	400	LE	185	T-SBC-B-150-240/2
-----	------------	-----	----	-----	-------------------



CHARDON TAIWAN CORPORATION

No.37 Min-Chie Road, Tung Lo
Industrial Park, Miao Li, Taiwan 366

Tel : +886-37-984385

Fax : +886-37-984770

www.chardongroup.com • info@chardongroup.com