

**IEC Separable Connectors  
26 kV/66 kV ; 26 kV/72 kV Coupling (Rear)  
T-Body Surge Arrester**



## APPLICATION

The Chardon T-Body Surge Arrester is an arrester combined within a coupling (rear) T-Body interface. It is designed to protect

apparatus, including transformers, switchgear, and other equipment from high voltage surges due to lightning or switching.

## KEY FEATURES

- Provides fully shielded deadfront arrester protection.
- Metal (zinc) Oxide Varistor (MOV) gapless design.
- EPDM insulation rubber molded around MOV module.
- Mounting can be vertical, horizontal, or any angle in between.
- No minimum phase clearance requirements.
- 100% electrical tested at factory.

## PRODUCT RATINGS

	26-RDTA66	26-RDTA72-10
Rated Voltage Class (Ur)	26 kV	26 kV
Nominal Discharge Current of Arrester	5 kA	10 kA
Residual Voltage of Nominal Discharge Current	≤ 66 kV	≤ 72kV
Maximum Continuous Operating Voltage	20.8 kV	20.8 kV
Voltage of DC 1mA Current	≥ 37 kV	≥ 37 kV

## PRODUCTION TESTS

Tests conducted in accordance with IEC 60099-4.

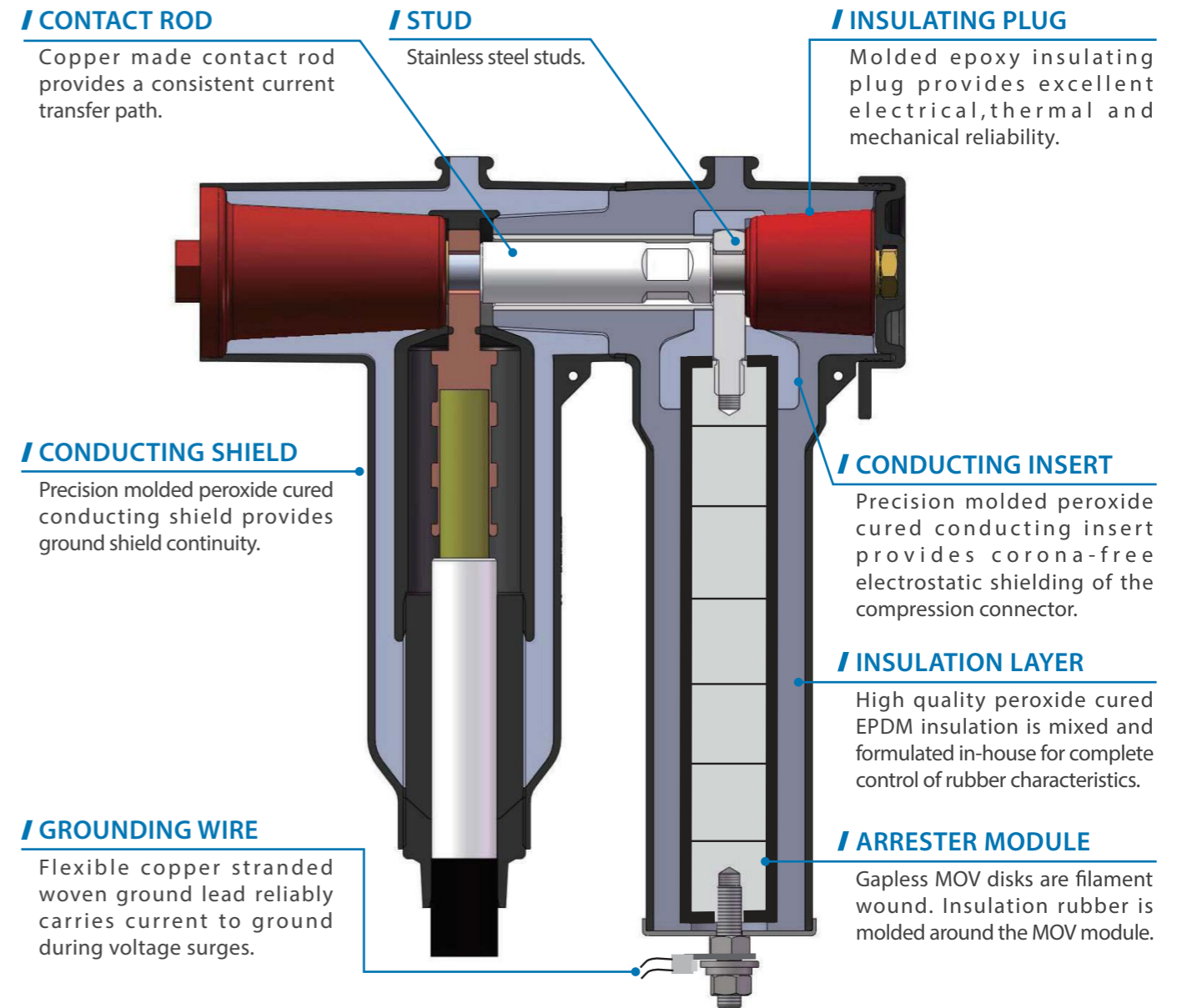
- Minimum Corona Voltage Level – 22kV < 3pc
- Voltage of DC 1mA Current – ≥ 37kV

Tests conducted in accordance with Chardon manufacturing process requirements:

- Physical Inspection
- Periodic Dissection
- Periodic X-ray Analysis

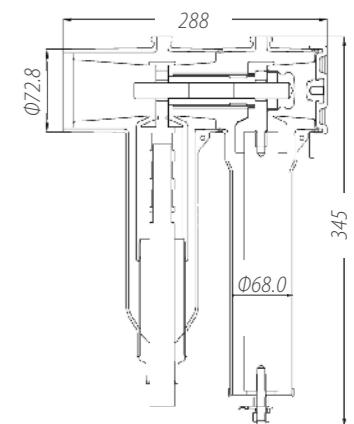
• 26-RDTA66-042020-REV04

## DETAILED COMPOSITION OF THE CHARDON 26 KV/66 KV COUPLING (REAR) T-BODY SURGE ARRESTER



## ORDERING INFORMATION

26kV/66kV 5kA Coupling(Rear) T-body Surge Arrester	26-RDTA66
26kV/72kV 10kA Coupling(Rear) T-body Surge Arrester	26-RDTA72-10





**CHARDON TAIWAN CORPORATION**

No.37 Min-Chie Road, Tung Lo  
Industrial Park, Miao Li, Taiwan 366

Tel : +886-37-984385

Fax : +886-37-984770

[www.chardongroup.com](http://www.chardongroup.com) • [info@chardongroup.com](mailto:info@chardongroup.com)