

**200A, 15 / 25 kV Class
Deadbreak Bushing Insert**



APPLICATION

The Chardon Deadbreak Bushing Insert threads into a standard 200A bushing well. It is a fully shielded, fully submersible separable connector designed for deadbreak operation. The Chardon Deadbreak Bushing Insert is suitable for 15/25 kV class systems and can be installed in transformers, switchgear or other apparatus when needed to connect with deadbreak connectors.

The Chardon Deadbreak Bushing Insert incorporates an all copper current path. This provides reliable and consistent performance under all conditions. The design meets all the requirements of IEEE standard 386, and is fully interchangeable with competitor's products and all mating products that also meet IEEE Standard 386.

PRODUCTION TESTS

Tests conducted in accordance with IEEE/ANSI Standard 386.

- / Minimum Corona Voltage Level – 19 kV
- / AC 1 Minute Withstand – 40 kV
- / Test Point Voltage Test

Tests conducted in accordance with Chardon manufacturing process requirements:

- / Physical Inspection
- / Periodic Dissection
- / Periodic X-ray Analysis

VOLTAGE RATINGS

Voltage Class	25 kV
Max. Rating Phase to Ground	15.2 kV
AC 1 Minute Withstand	40 kV
DC 15 Minute Withstand	78 kV
BIL and Full Wave Crest	125 kV
Minimum Corona Voltage Level	19 kV

• 25-DBI200-REV010516

CURRENT RATINGS

Description	Test Parameters
Continuous	200 amps rms
Short Time	• 10,000 amps rms symmetrical for 0.17 s • 3,500 amps rms symmetrical for 3.0 s

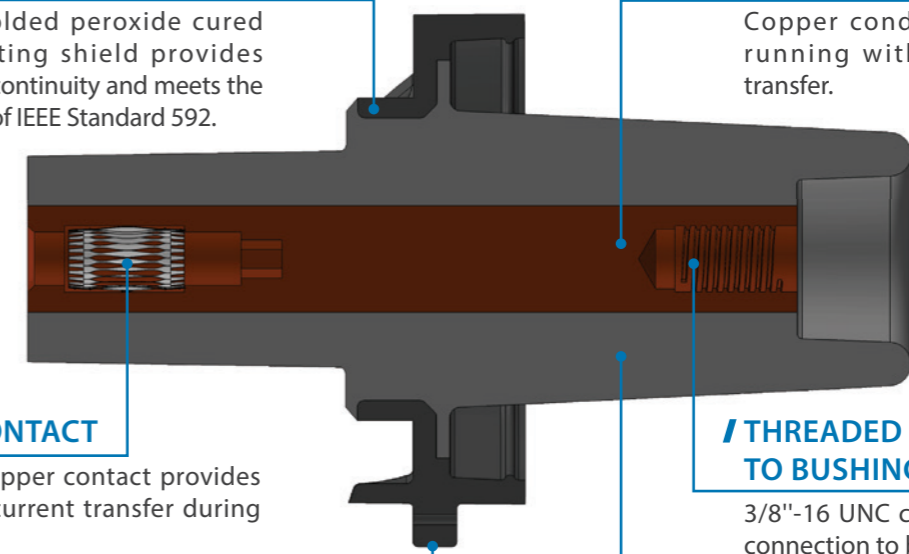
DETAILED COMPOSITION OF THE CHARDON DEADBREAK BUSHING INSERT

/ SEMICONDUCTING SHIELD

Precision molded peroxide cured semiconducting shield provides groundshield continuity and meets the requirements of IEEE Standard 592.

/ COPPER CONDUCTOR

Copper conductor ensure a cool running with maximum current transfer.



/ LOUVER CONTACT

The plated copper contact provides a consistent current transfer during operation.

/ THREADED CONNECTION TO BUSHING WELL

3/8"-16 UNC copper thread provides connection to bushing well.

/ DRAIN WIRE TAB

Drain wire table provide 3 convenient point to connect drain wire to ensure grounding of the connector shield.

/ INSULATION LAYER

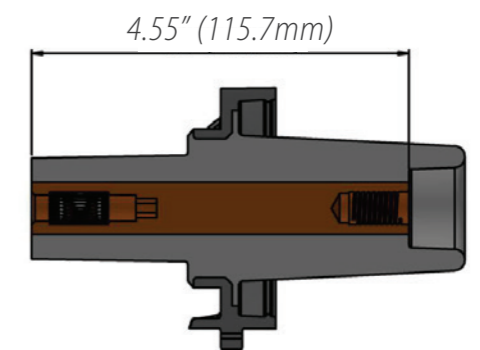
High quality peroxide cured EPDM insulation is mixed and formulated in-house for complete control of rubber characteristics.

ORDERING INFORMATION

200A, 15/25 kV Deadbreak Bushing Insert 25-DBI200

Each portable feed thru kit includes the following:

- / Deadbreak Bushing Insert
- / Shipping Cap (not for energized operation)
- / Silicon Lubricant
- / Installation Instruction Sheet





CHARDON TAIWAN CORPORATION

No.37 Min-Chie Road, Tung Lo
Industrial Park, Miao Li, Taiwan 366

Tel : +886-37-984385

Fax : +886-37-984770

www.chardongroup.com • info@chardongroup.com