

---

## 25/35 KV 600/900A CLASS JUNCTION INSTALLATION & OPERATING INSTRUCTIONS

---

### DESCRIPTION

The Chardon Junction is used to sectionalize cables or as feed-thru for making lateral taps. These instructions apply for either 2-tap, 3-taps, 4-taps Junction units. A 3-taps Junction is used for illustration purposes in these instructions.

The deadbreak interface of the Junction meets the requirement for Separable insulated Connectors, ANSI / IEEE St. 386, latest revision as follows :


- 25kV Class (15.2kV)
- 35kV Class (21.1kV)




### JUNCTION KIT CONTENT :

1 – Junction  
1 – Instruction Sheet  
1 – Junction main bracket  
Lubricant (one per interface)  
Shipping cap (one per interface)  
Paper towel (one per interface)

---

--  
 **CAUTION :** All associated apparatus must be de-energized during installation and/or maintenance.

---

 **DANGER :** Do not touch or move energized product by hand. Failure to follow this instruction may result in serious or fatal injury, as well as damage to the product.

---

### IMPORTANT

Read these instructions thoroughly before operating the system. Be sure that the connectors are rated for the intended energized use (See Chardon Catalog or Technical Data Sheets for selecting the correct mating connector module.) Visually inspect parts for damage before using them.

---

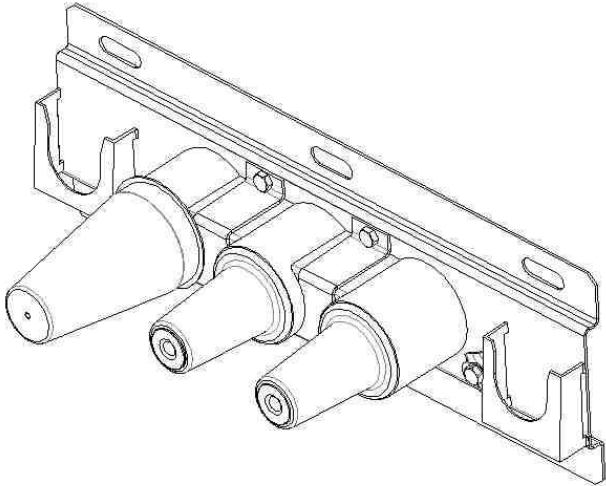
### CAUTION

THE EQUIPMENT COVERED BY THESE INSTRUCTIONS SHOULD BE INSTALLED, OPERATED AND SERVICED ONLY BY COMPETENT PERSONNEL FAMILIAR WITH GOOD SAFETY PRACTICES. THIS INSTRUCTION IS WRITTEN FOR SUCH PERSONNEL AND IS NOT INTENDED AS A SUBSTITUTE FOR ADEQUATE TRAINING AND EXPERIENCE IN SAFE PROCEDURES FOR THIS TYPE OF EQUIPMENT.

## INSTALLATION

### STEP 1

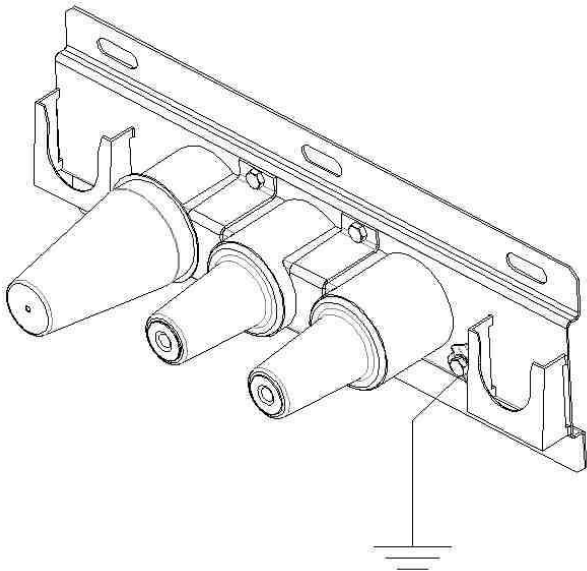
Place the assembly against the wall and mark the location of the mounting holes on the wall. 1/2" diameter bolts are recommended for mounting



BRACKET MOUNTING HOLES FOR MOUNTING TO DISTRIBUTION BOX

### STEP 2

Mount the assembly on the wall according to the marks made in Step 1 and securely tighten the mounting bolts. Next, securely tighten the bolts securing the junction main bracket to the adjustable end brackets. Ground the bracket to system ground with the grounding clamp provided.



GROUND THE BRACKET

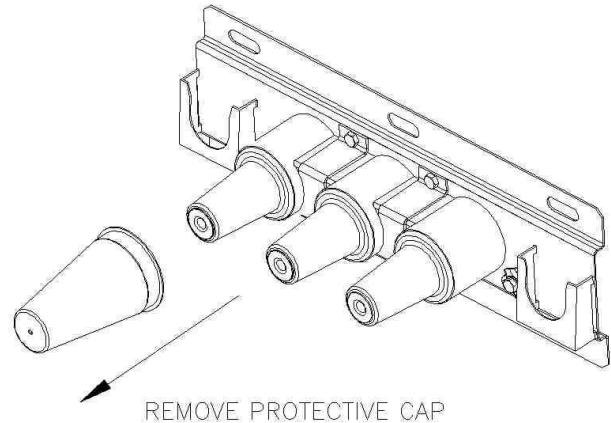
### STEP 3

To install a mating elbow carefully follow the appropriate installation instructions for the particular module used. Allow sufficient cable slack to remove the mating connector approximately one foot during deadbreak. Support the cable to the mating

connector to eliminate its effect during the deadmake and deadbreak operation. Mechanically operate the mating connector when de-energized to assure that the system can be properly operated when energized.

### STEP 4

Remove the shipping cap and wipe the interfaces clean. Lubricate the interfaces using one tube of lubricant per interface. (Do not substitute lubricant).



### STEP 5

For deadmake and deadbreak, refer to the appropriate operating instructions for the mating connector used.

### DISASSEMBLY

To remove the Elbows from the junction, reverse the operational sequence following applicable deadbreak operating instructions for the particular module being removed. Any tap not being used must be protected from contamination with CHARDON INSULATING CAPS.

These instructions do not cover all details or variations in equipment nor to provide for every possible contingency to be met in connection with installation, operation or maintenance. Should further information be desired or should particular problems arise which are not covered sufficiently for the purchaser's purposes, the matter should be referred to Chardon Electrical Components.

